

904J-E36TAG Electric Power Engines

Power range 1500 rpm

50-55 kW (engine gross power)

Power range 1800 rpm

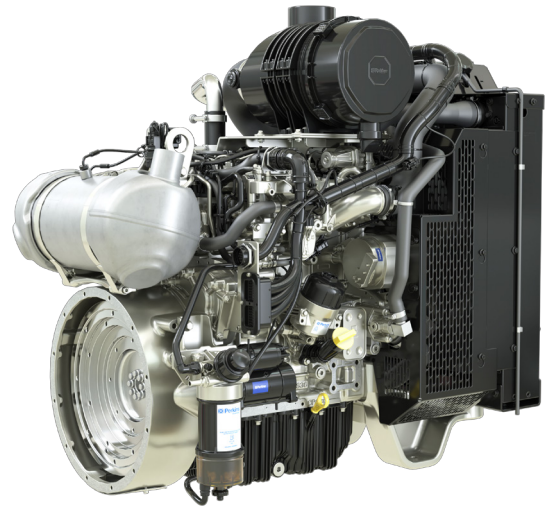
50-55 kW (engine gross power)

Emissions

EU Stage V/U.S. EPA Tier 4 Final (dual certified) *

Building on its already strong EU Stage V electric power range, Perkins is pleased to announce the addition of the 904J ElectropaK to complement the range.

The whole engine has been built around the demands of our customers and as such offers a great package with a simple integration design as well as excellent performance and reliability. Perkins has developed a reputation for designing and building reliable and durable engines suitable for the most demanding applications and the 904J is no different.



Features and benefits

- The ECM and aftertreatment sensors have all been **pre-installed** in the ElectropaK to save mounting on the generating set canopy. A **bespoke** wiring harness to allow simple hookup to the generating set wiring loom has also been created and included as standard. The fuel filter with water in fuel sensor has also been mounted to the ElectropaK to make the low pressure fuel system installation **quick and simple**.
- **Fuel consumption optimised** to match generating set operating cycles which lowers operating costs
- Hydraulic tappets, multi-vee belts, service-free aftertreatment and 500 hour oil change intervals enable **low-cost maintenance**. Perkins also offers peace of mind with up to ten years extended warranty via Perkins® Platinum Protection.
Discover more: www.perkins.com/platinumprotection
- Perkins recognise that the customer relationship is important to machine manufacturers and we can offer a range of **flexible solutions** to help provide appropriate **support**, either to the OEM's network or directly to the machine customer. Perkins information systems enable our distributors to quickly diagnose engine faults and identify the right parts. The Perkins logistics operation is able to dispatch more than 30,000 different parts from stock, reaching the customer within 24 hours.
To find your local distributor: www.perkins.com/distributor
- Our facilities worldwide employ the same **efficient processes**, the same tested and validated components, and the same **stringent quality controls** wherever your engines are manufactured.

* higher ratings are available for engines only operating in the EU + UK territories - see spec sheet 100095

904J-E36TAG Electric Power Engines

Power range 1500 rpm

50-55 kW (engine gross power)

Power range 1800 rpm

50-55 kW (engine gross power)

Emissions

EU Stage V/U.S. EPA Tier 4 Final (dual certified) *

Specification

	Model
	904J-E36TAG1
Configuration	ElectropaK
Cylinders	4
Displacement, litres (in ³)	3.6 (219.7)
Aspiration	Turbocharged aftercooled
Bore and stroke, mm (in)	98 × 120 (3.9 × 4.7)
Combustion system	Direct injection
Compression ratio	17:1
Exhaust aftertreatment	DOC/DPF
Rotation (viewed from flywheel)	Anti-clockwise
Total lubricating oil capacity, litres (US gal)	10.7 (2.8)
Cooling system	Liquid
Total coolant capacity, litres (US gal)	15.7 (4.1)

Technical Information

Model	Speed	Type of Operation	Engine Power		Typical Generator Output* (Net)	
			Gross	Net	kVA	kWe
	rpm		kW (hp)	kW (hp)		
904J-E36TAG1	1500	Prime	50 (68)	48 (64)	54	43
		Standby	55 (74)	53 (71)	60	48
	1800	Prime	50 (68)	46 (62)	52	42
		Standby	55 (74)	51 (69)	58	46

*Generator powers are typical and based on typical alternator efficiencies and a power factor (cos θ) or 0.8.

* higher ratings are available for engines only operating in the EU + UK territories - see spec sheet 100095

904J-E36TAG Electric Power Engines

Power range 1500 rpm

50-55 kW (engine gross power)

Power range 1800 rpm

50-55 kW (engine gross power)

Emissions

EU Stage V/U.S. EPA Tier 4 Final (dual certified) *

Standard Equipment

	Model
	904J-E36TAG1
Electro unit or ElectropaK	ElectropaK
Radiator fitted	✓
Fuel filter, engine mounted	✓
Water separator	✓
Fuel priming pump (manual/electric)	Manual
Fuel cooler	Not required
Air filter, engine mounted	✓
Engine ECM, engine mounted	✓
Wiring harness to ECM	✓
Wiring harness (all connectors to single customer interface)	✓
Starter motor	✓
Battery charging alternator	✓
Flywheel housing	✓
Flywheel	✓
Fan	✓
Fan guard	✓
Temperature and oil pressure for automatic stop/alarm configurable	✓

Aftertreatment

	Model
	904J-E36TAG1
Aftertreatment configuration	Engine Mounted Aftertreatment (EMAT)
Aftertreatment type	DOC/DPF
Exhaust flexible pipe (engine to aftertreatment)	Fitted
DEF tank	N/A
Heated DEF lines	N/A

* higher ratings are available for engines only operating in the EU + UK territories - see spec sheet 100095

904J-E36TAG Electric Power Engines

Power range 1500 rpm

50-55 kW (engine gross power)

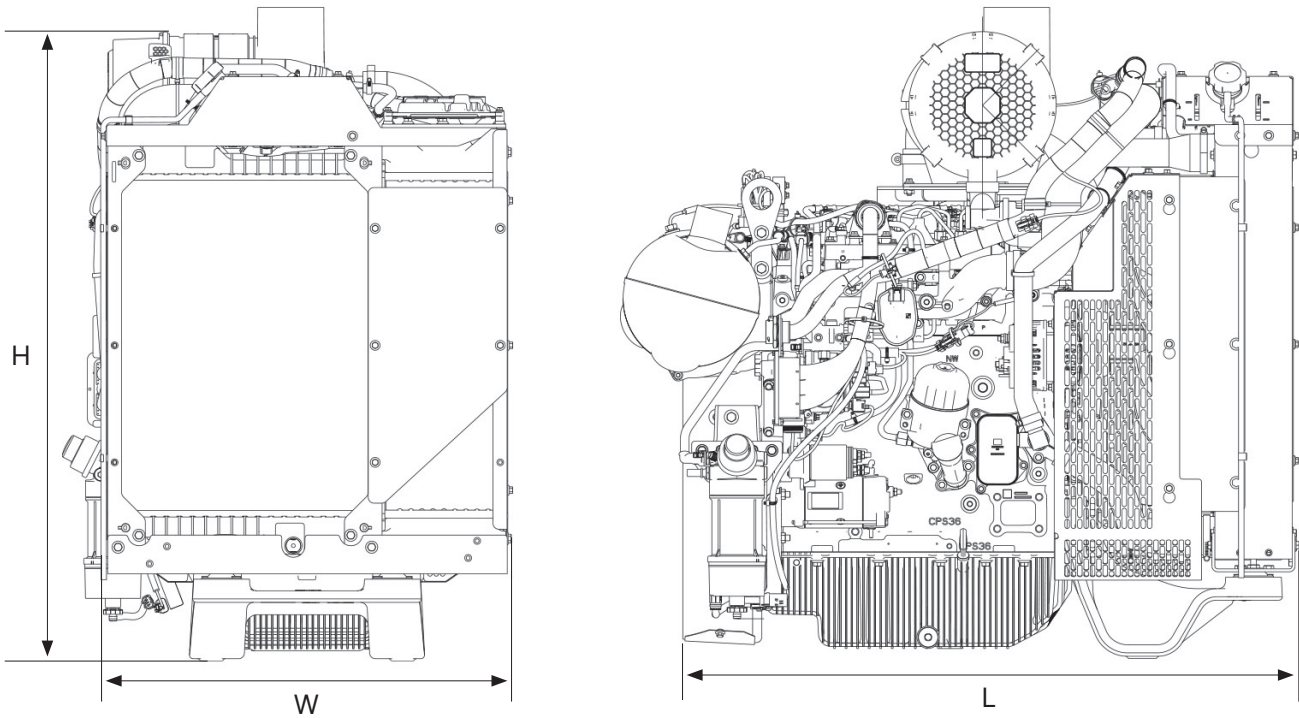
Power range 1800 rpm

50-55 kW (engine gross power)

Emissions

EU Stage V/U.S. EPA Tier 4 Final (dual certified) *

Engine Package Weights and Dimensions



	Model
	904J-E36TAG1
Configuration	ElectropaK
Dimensions, H x L x W, mm (in)	1083 × 1056 × 693* (42.6 × 41.6 × 27.3)
Dry weight, kg (lb)	511 (1127)

*Some components may locally exceed, see 3D models for more details

Prime power: Power available at variable load in lieu of a main power network. Overload of 10% is permitted for one hour in every 12 hours of operation.

Standby (maximum): Power available at variable load in the event of a main power network failure. No overload is permitted.

* higher ratings are available for engines only operating in the EU + UK territories - see spec sheet 100095

All information in this document is substantially correct at time of printing and may be altered subsequently.

Photographs are for illustrative purposes only and may not reflect final specification.

Final weight and dimensions will depend on completed specification.

Information subject to selected configuration, and subject to change without notice.

All data based on operation to ISO 3046/1:2002 standard reference conditions.

100096-EN-03 (10/23) Produced in England ©2023 Perkins Engines Company Limited.