



**YANMAR CO.,LTD.**

G3-23947-0040

Messrs : YASC

# 4TNV106T-GGEA

for Generator

SPECIFICATIONS & DRAWINGS FOR PROTO TYPE

17.Jun.2008

**YANMAR CO.,LTD.**

# Contents

G3-23947-0040

Drawing No.	Part No.	Name	Qty.	Remarks
B3-23947-0020		Out line		
E3-23907-0010		Wiring Diagram		
Z3-23915-1100		Detail of Flywheel		
G3-23947-0040		Scope of Supply		
		LOOSE PARTS		
	129472-13520	GASKET, TURBOCHARGER	1	
	123901-18080	GASKET	1	
	720445-44200	TANK ASSY, SUB	1	
	129940-44510	RADIATOR ASSY	1	
	123915-44570	GUARD, FAN	1	
	119255-44660	RUBBER, RADIATOR	4	
	123915-44760	SHROUD, FAN	1	
	123901-49050	PIPE, COOLING WATER	1	
	123947-49070	PIPE, COOLING WATER	1	
	119225-52102	PUMP, FUEL FEED	1	
	129242-55700	SEPARATOR ASSY	1	
	119643-66900	DIODE	1	
	119650-77910	RELAY ASSY, GLOW	1	
	128300-77920	TIMER, GLOW PLUG	1	
	129211-77920	TIMER, SECTION 1	1	
	23000-048000	CLAMP, HOSE 48	1	
	23000-060000	CLAMP, HOSE 60	3	
	0ATNV-G00101	OPERATION MANUAL	1	

**Note :**

- ① Since the durability of electric parts basically apply to R2 level of JIS D0203, please inform the customer not to clean with steam or high pressure water.
  - ② Electric parts should not mounted on the engine directly (relay, timer etc.) must be kept free from wet & high humidity and be kept with good air ventilation.
- Regarding the vibration of the electrical components, these vibration level must be kept less than 4G.

Engine Development Dept.

Manager

*T. Goto*

Sec. Manager

*K. Yamada*

	For Conference	For Apporval	For Installation	Final Drawing
Customer				
Exp. Dept.				
Copy				
Total				

Checked

*K. yokoi*

Drawn

Sakamoto

Messrs : YASC

W.No.

4TNV106T-GGEA

# ENGINE SPECIFICATIONS

G3-23947-0040

No	Model name	4TNV106T-GGEA		Remarks	
1	Type	4 cycle, Inline, Water-cooled Diesel			
2	No. of cylinders-Bore×stroke	mm	4-φ106×125		
3	Combustion system	Direct Injection			
4	Compression ratio	18			
5	Displacement	litter	4.412		
6	Rated output	kW(PS)	56(76.1)/66.9(91)		
		min <sup>-1</sup>	1500/1800		
7	Continuous rating	kW(PS)	50.9(69.2)/60.9(82.8)		
		min <sup>-1</sup>	1500/1800		
8	Max. torque	N·m	~		
		min <sup>-1</sup>	(+ /)		
9	Specific fuel consumption	g/kW-h(g/PS-h)	220.4(162)	at rated output	
10	Ambient condition	25°C、750mmHg、30%			
11	Engine speed at no load	Max.	min <sup>-1</sup> 1925	+25/-25	
		Min.	min <sup>-1</sup> 1500	+25/-25	
12	Governorability	Governor type	centrifugal-all speed governor		
		Temporary	%	max.10	load 100% ↓ 0%
		Permanent	%	max.5	
		Recovery time	sec	max.5	
		Stability	min <sup>-1</sup>	max.15	
13	Gradients	Longitudinal	deg 15(10)	intermitted	
		Lateral	deg 15(10)	( ) : continuous	
14	Firing order	1-3-4-2-1		order from F.W.	
15	Direction of rotation	counterclockwise		viewed from F.W.	
16	Engine dry weight	kg	approx.355		
17	Fuel injection timing	deg	FIT11.5(+1/-1)	FIT b.T.D.C	
18	Fuel system	Fuel type	Diesel oil		
		Fuel injection pump	Distributortype(YPD-MP4), Yanmar made		
		Fuel injection nozzle	hole type		
		Fuel filter	paper element		
19	Lubrication system	System	forced feed		
		Oil grade	API class CD, SAE grade 10W30		
		Oil pump	trochoid pump		
		Oil filter	paper element		
		Oil capacity	liter	14	max.
			liter	9	effective.
		Oil pressure	kgf/cm <sup>2</sup>	4.5	at rated output
kgf/cm <sup>2</sup>	0.6		at low idle		
20	Cooling system	Heat exchanger	none		
		Pressure cap	kgf/cm <sup>2</sup>	0.9	
		Fan	7-φ550		
		Coolant capacity	liter	6	

4TNV106T-GGEA

## ENGINE SPECIFICATIONS

G3-23947-0040

No	Model name	4TNV106T-GGEA	Remarks
21	Air cleaner	8inchi double Element Type	
22	Breather system	open	
23	Muffler	none	
24	Starting system	Starter	12V-3.0kW
		Battery	130E41
		Starting aid	air heater 1000W
25	Generator	12V-60A	
26	Engine color	Silver	
27	Applied regulation		

< Career >

Messrs : YASC	W.No.	4TNV106T-GGEA
---------------	-------	---------------

4TNV106T-GGEA

# SCOPE OF SUPPLY

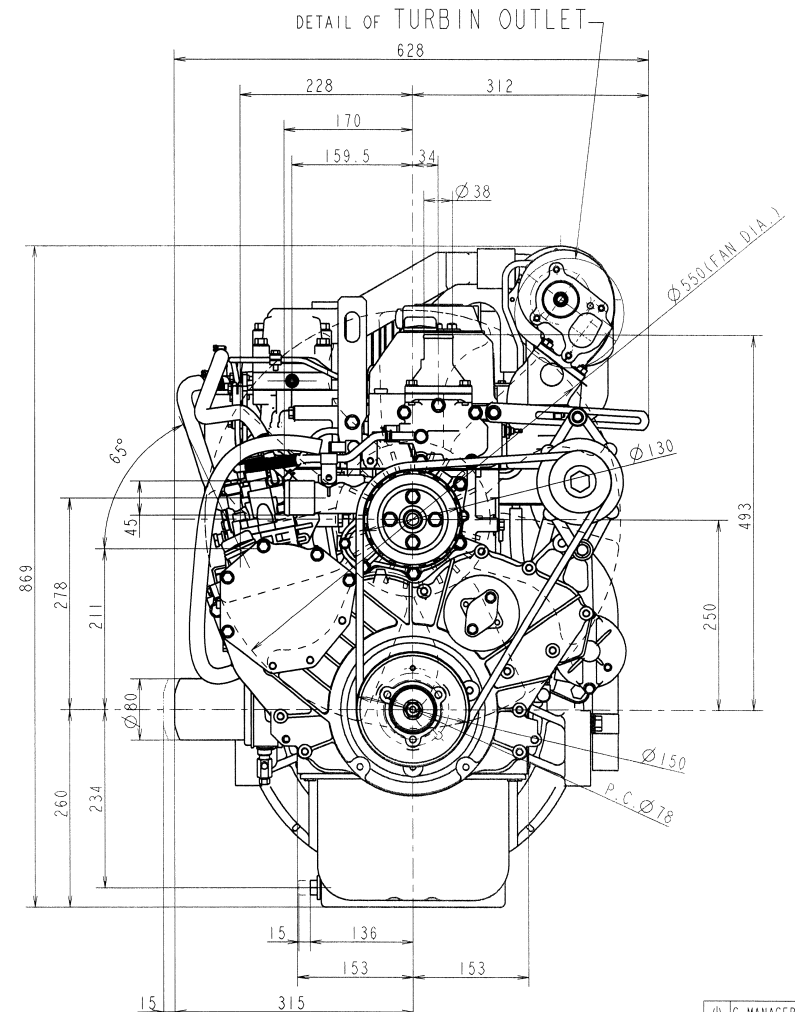
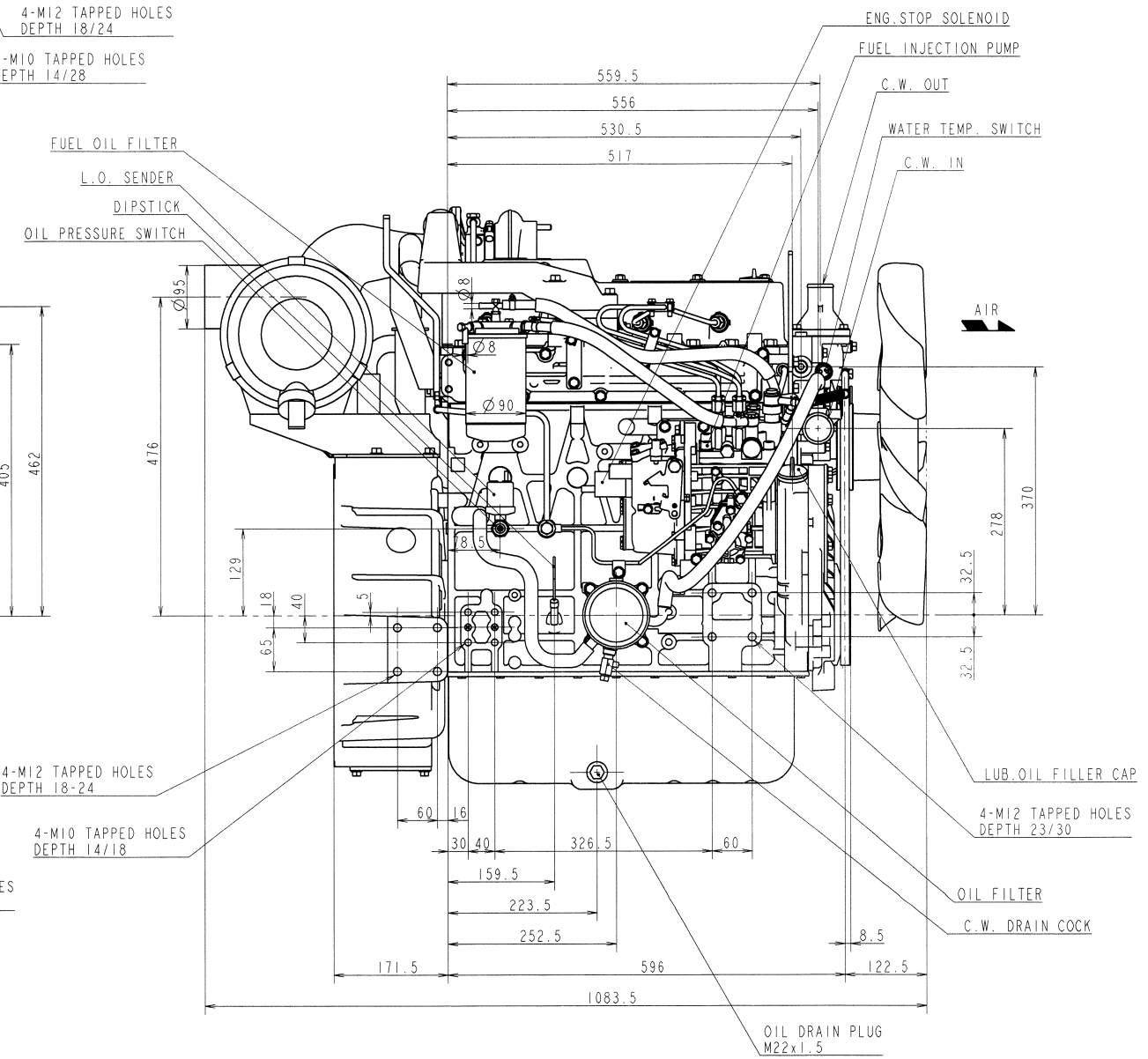
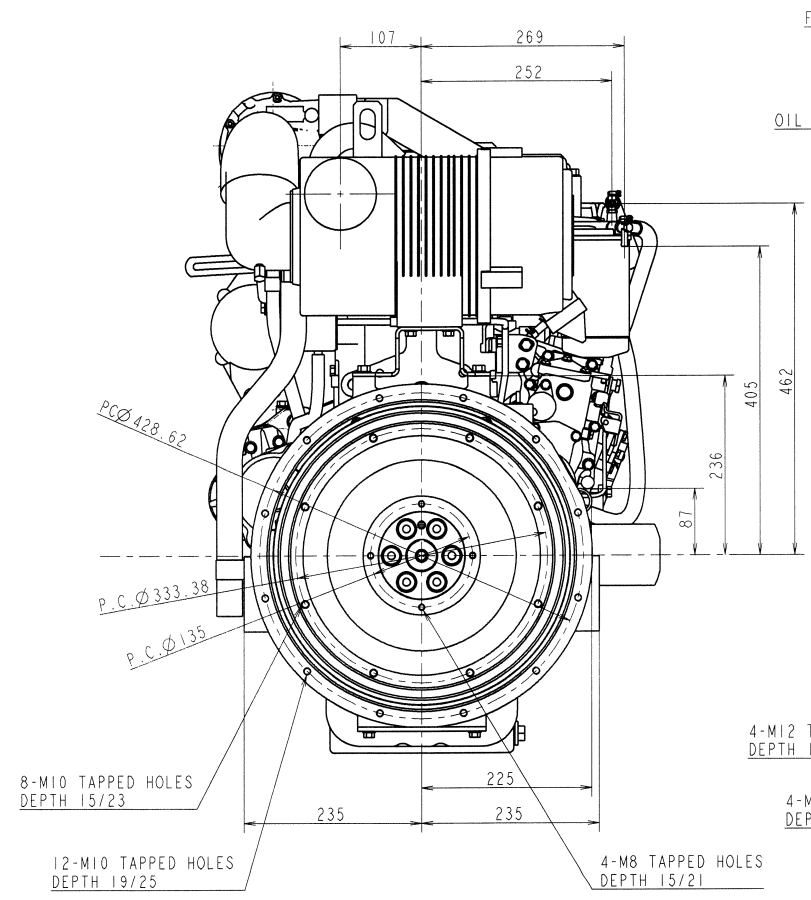
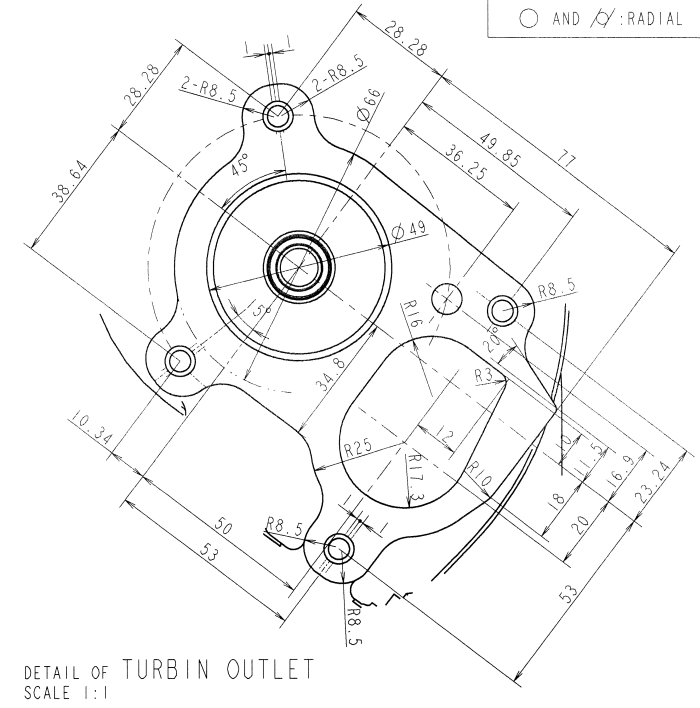
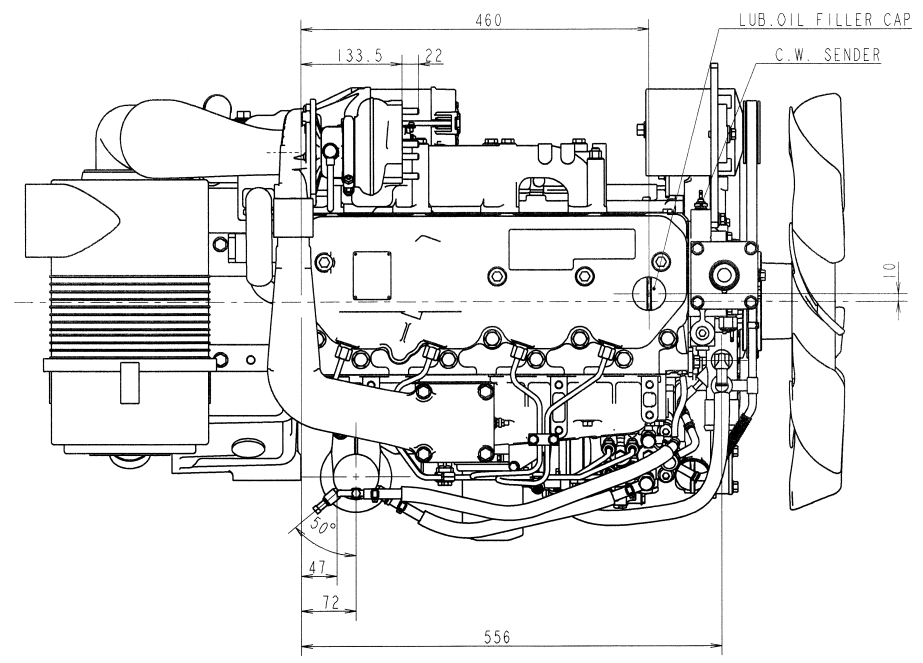
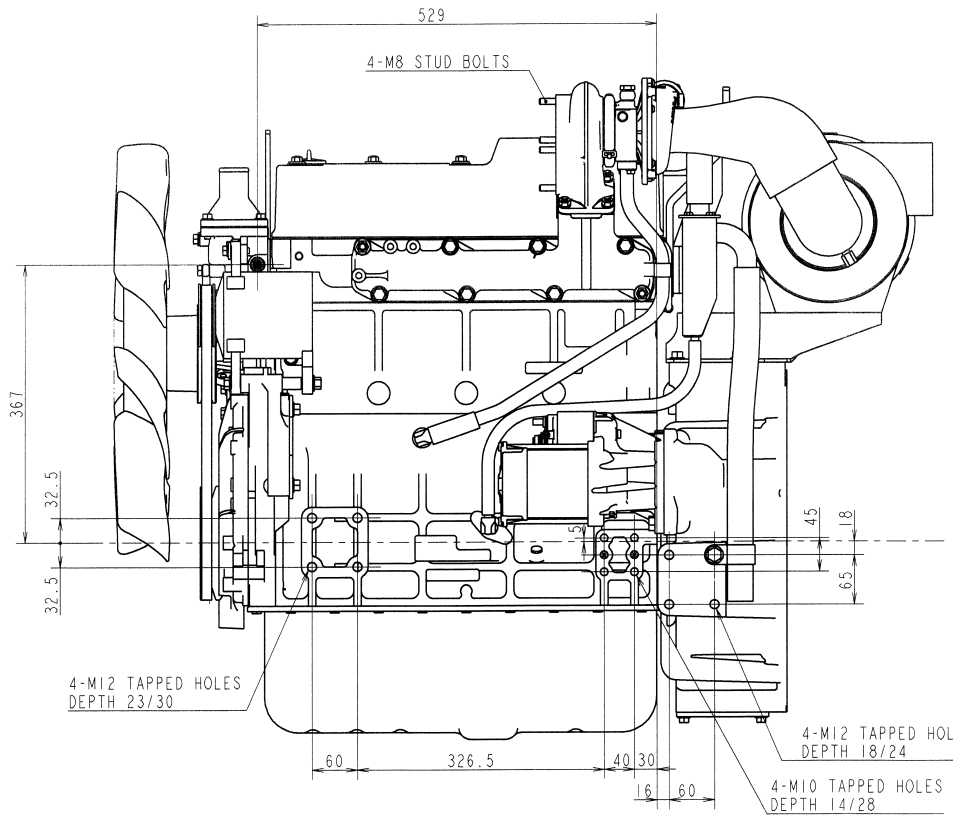
G3-23947-0040

No	ENGEN MODEL	4TNV106T-GGEA	Parts number	Remarks
<b>FUEL SYSTEM</b>				
1	Fuel Injection Pump	installed	723947-51300	Mark "TQF3"
2	Fuel Injection Nozzle	installed	723947-53100	Mark "VCJ"
3	Fuel Transfer Pump	provided	119225-52102	Electric, As loose parts
4	Fuel Filter	installed	129907-55801	1 $\mu$ , 4000cm <sup>2</sup>
5	Fuel Filter Bracket	installed	129004-55612	
6	Fuel Injection Line	installed	123908-59800	
7	Fuel Line(Filter to Pump)	installed	119160-59010	L=400mm
8	Fuel Pipe (Pump to Filter)	installed	129957-59040	L=500mm
9	Water Separator	provided	129242-55700	Clear cup, As loose parts
10	Throttle Lever	installed	129937-61440	
<b>LUB,OIL SYSTEM</b>				
11	Oil Pan	installed	123900-01710	Drain: Inlet side
12	Oil filler Extension pipe	installed	124160-01751	2 places
13	Breather Pipe	installed	123901-03090	
14	Switch ,lub .oil pressure	installed	114250-39450	0.5kg/cm2 (CA104)
15	LO pressure sender	installed	119773-91501	
16	Dipstick	installed	123982-34801	
17	Guide ,dipstick	installed	121520-34810	
18	Oil filter	installed	119005-35160	
19	Oil Cooler	installed	123912-33011	
<b>COOLING SYSTEM</b>				
20	Radiator	provided	129940-44510	As loose parts
21	Rubber Isolaters	provided	119255-44660	As loose parts
22	Pipe A,radiator	provided	123901-49050	As loose parts
23	Pipe B,radiator	provided	123947-49070	As loose parts
24	Sub tank(radiator)	provided	720445-44200	As loose parts
25	Water Pump	installed	123907-42000	Low position type
26	Cooling Fan	installed	123915-44741	$\phi$ 550 PUSH
27	Spacer ,fan	installed	123900-44761	T=25mm
28	Guide ,fan	provided	123915-44570	As loose parts
29	Pully ,fan	installed	123900-42470	D=130mm
30	V-Belt	installed	25163-004801	Btype 48 inch
31	Switch, water temp.	installed	121250-44901	110°C
32	Sender, water temp.	installed	124250-49351	
33	Thermostat	installed	124610-48610	71deg
34	Thermostat Cover	installed	123962-49500	
35	Water Drain Fitting	installed	119620-49290	COCK
36	3-Way Plug ,cooling water	not provided	none	
<b>ELECTRIC SYSTEM</b>				
37	Starter	installed	129940-77010	12V-3.0kW (HITACHI)
38	Alternator	installed	123900-77210	12V-60A (HITACHI)
39	Relay ,solenoid	provided	119650-77910	As loose parts
40	Timer ,solenoid	provided	129211-77920	As loose parts
41	Engine Shut Off	installed	119653-77950	built-in type, Yazaki-coupler
42	Starting Aid	installed	123900-77500	12V 1kW
43	Diode ,solenoid relay	provided	119643-66900	As loose parts
44	Timer, air heater (glow)	provided	128300-77920	As loose parts
45	Relay, air heater (glow)	not provided	none	
46	Current Limiter	not provided	none	
47	Safety relay, starter	not provided	none	

<b>PTO SYSTEM</b>				
48	Flywheel Housing or Back plate	installed	123910-01620	SAE #3 (171.5)
49	Flywheel	installed	123915-21590	SAE #3
50	Bearing ,retainer	not provided	none	
51	Pully ,crankshaft	installed	123946-21660	D=150 mm
52	Gear case	installed	123907-01540	
53	Hydraulic Pump	not provided	none	
54	Device ,hydraulic pump	not provided	none	
<b>INTAKE/EXHAUST SYSTEM</b>				
55	Air Cleaner	installed	123901-12530	
56	Bracket ,air cleaner	installed	123901-12571	
57	Manifold ,intake	installed	123907-12100	Upward
58	Joint	installed	123912-18350	
59	Muffler	not provided	none	
60	Gasket ,muffler	provided	129472-13520	As loose parts
		provided	123901-18080	As loose parts
61	Manifold ,exhaust	installed	123908-13120	Upward
62	Bend ,exhaust	not provided	none	
63	EGR Pipe	not provided	none	
64	EGR Valve	not provided	none	
65	EGR Cooler	not provided	none	
66	Turbine	not provided	none	
<b>ELECTRIC CONTROLL SYSTEM</b>				
67	ECU	not provided	none	
68	Main Relay	not provided	none	
69	Lack Actuator Relay	not provided	none	
70	Starter Relay	not provided	none	
<b>GAUGE</b>				
71	Drive Unit ,tachometer	not provided	none	
72	Cable ,tachometer	not provided	none	
73	Tachometer	not provided	none	
74	Key Switch	not provided	none	
75	Cover ,terminals	not provided	none	
76	Pilot lamp	not provided	none	
77	Guage ,oil/water temp	not provided	none	
78	Guage ,oil pressure	not provided	none	
<b>OTHERS</b>				
79	Filter Wrench ,lub .oil	not provided	none	
80	Filter Wrench ,fuel .oil	not provided	none	

FIGURE DIMENSION GT.CODE  
 ○ AND ⊙ : RADIAL

CAREER



Conform to the Tammor standard JIS V-0001J concerning "the limitation of the environmental burden material" for the use of the environmental burden material of this part.  
 本製品の環境負荷低減を図るため、JIS V-0001J (環境負荷低減) に関する「この製品の環境負荷低減材料の使用」の制限事項を記載しています。

3D-CAD	
NOTICE	○
GEOMETRICAL TOLERANCE	⊙
KIND OF TOLERANCE	⊙
STRAIGHTNESS TOLERANCE	⊙
CIRCULARITY TOLERANCE	⊙
PROFILE OF LINE TOLERANCE	⊙
FLATNESS TOLERANCE	⊙
CYLINDRICITY TOLERANCE	⊙
POSITION TOLERANCE	⊙
PARALLELISM TOLERANCE	⊙
PERPENDICULARITY TOLERANCE	⊙
SIMILARITY TOLERANCE	⊙
POSITIONAL TOLERANCE	⊙
QUALITY OF SURFACE TOLERANCE	⊙
SYMMETRY TOLERANCE	⊙
STRAIGHTNESS TOLERANCE	⊙
FLATNESS TOLERANCE	⊙
CYLINDRICITY TOLERANCE	⊙
POSITION TOLERANCE	⊙
PARALLELISM TOLERANCE	⊙
PERPENDICULARITY TOLERANCE	⊙
SIMILARITY TOLERANCE	⊙
POSITIONAL TOLERANCE	⊙
QUALITY OF SURFACE TOLERANCE	⊙
SYMMETRY TOLERANCE	⊙

WEIGHT (RAW)	(± %)	kg	
WEIGHT (CALC.)	(± %)	kg	
S. ENGINEER	MANAGER	MODEL	4TNV106T-GGEA
CHECKED	SPECIALIST	QTY	1
DESIGNED	DRAWN	DATE: Y.M.D	NAME
M. Wakabayashi		2008.6.5	2008.6.5
<b>YANMAR</b>			
POWER SYSTEM OPERATIONS DIV., YANMAR CO., LTD.			
SCALE			1:5
MATERIAL			CMP
4TNV106T-GGEA OUTLINE			
CODE			B3-23947-0020
DRAW SIZE			A1

MARK	COLOR
B	Black
W	White
R	Red
L	Blue
G	Green
Y	Yellow
Br	Brown
Lg	Light Green
Sb	Sky blue
O	Orange
P	Pink
Gr	Gray
R/W	Red/White

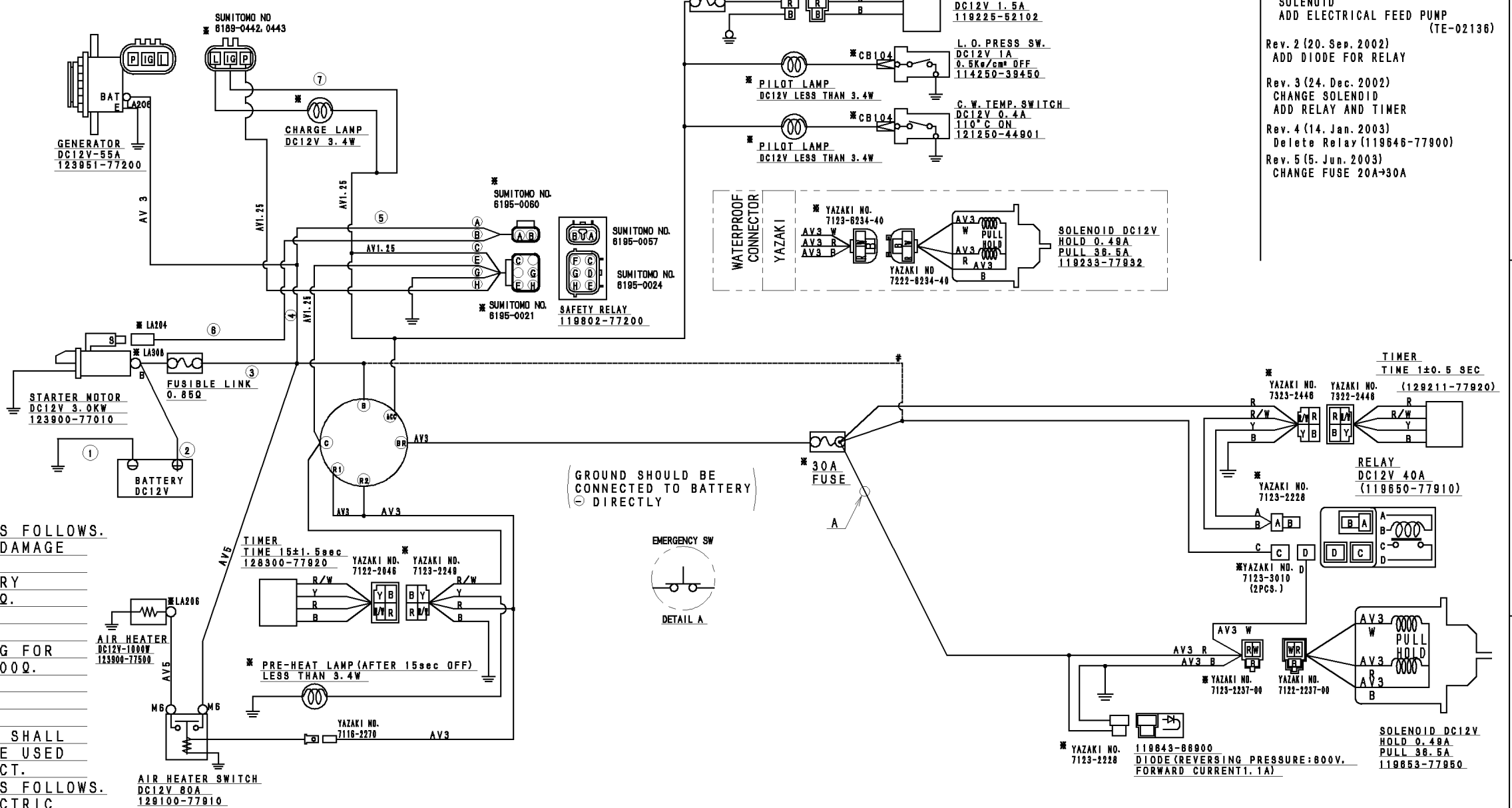
形状寸法コード G.T.CODE 真円度・円筒度八、半径法

面来歴 CAREER

- Rev. 1 (30May. 2002) CHANGE THE NOTES FOR ENGINE STOP SOLENOID ADD ELECTRICAL FEED PUMP (TE-02136)
- Rev. 2 (20. Sep. 2002) ADD DIODE FOR RELAY
- Rev. 3 (24. Dec. 2002) CHANGE SOLENOID ADD RELAY AND TIMER
- Rev. 4 (14. Jan. 2003) Delete Relay (119646-77900)
- Rev. 5 (5. Jun. 2003) CHANGE FUSE 20A→30A

	B	R1	R2	ACC	C	BR
PRE-HEATING	○	○	○	○	○	○
OFF	○	○	○	○	○	○
ON	○	○	○	○	○	○
START	○	○	○	○	○	○

KEY SW. DIAGRAM



- NOTES**
1. WIRING OF STARTER MUST BE OBSERVED AS FOLLOWS. OTHERWISE IT CAUSES MISS STARTING OR DAMAGE OF STARTERMOTOR.
    - 1-1. TOTAL ELECTRIC RESISTANCE OF BATTERY CABLE (①+②) SHOULD BE LESS THAN 2/1000Ω. REFERENCE: AV15: ≤1.4m, AV20: ≤2.2m, AV30: ≤3.8m, AV40: ≤4.6m
    - 1-2. TOTAL ELECTRIC RESISTANCE OF WIRING FOR STARTER (③~⑥) SHOULD BE LESS THAN 5/100Ω. REFERENCE OF TERMINAL RESISTANCE: 15/1000Ω PER COUPLER, 0Ω PER SCREW SETTING
    - 1-3. BATTERY EARTH CABLE (①) CONNECTION SHALL BE ENSURED. PAINTED SURFACE MAY NOT BE USED (FOR EARTHING) AVOIDING THE MISS CONTACT.
  2. BATTERY TREATMENT MUST BE OBSERVED AS FOLLOWS. OTHERWISE IT MAY CAUSE BURNING OF ELECTRIC EQUIPMENTS OR COMPONENTS. ALTERNATOR (DIODES) BURNING CAUSED BY BATTERY CABLE CONNECTION REVERSELY IS NOT WARRANTED.
    - 2-1. BATTERY SHOULD BE FIXED BY FITTING. (NOT TO MOVE)
    - 2-2. BATTERY CABLE LENGTH SHOULD BE ADJUSTED PROPERLY AND CLAMPED NOT TO BE CONNECTED REVERSELY.
    - 2-3. NOT LOOSE THE BATTERY CABLE TERMINAL, NOR TURN THE BATTERY SWITCH OFF DURING THE ENGINE RUNNING.
  3. ONLY THE SPECIFIED LOAD SHOULD BE APPLIED ON THE ALTERNATOR "L" AND "P" LINE. IT IS NOT ALLOWED TO CONNECT ANY LOAD UNSPECIFIED WITHOUT YANMAR APPROVAL.
  4. CHECK ANY SURGE CURRENT OR VOLTAGE OCCURED UNDER NORMAL OPERATIONS AND EXPECTIVE ERRONEOUS OPERATIONS, AND CONFIRM THE CIRCUIT NO SURGE OCCURS. ESPECIALLY PROVIDE THE FLYWHEEL DIODE FOR "C-LOAD" AND DIODE FOR "L-LOAD".

- NOTES FOR ENGINE STOP SOLENOID**
1. PERMISSIBLE RESISTANCE OF SOLENOID CIRCUIT SHOULD BE LESS THAN 0.07Ω TO GUARANTEE PERMISSIBLE LOWEST VOLTAGE 9V TO WORK SOLENOID (PULL COIL). (TERMINAL RESISTANCE: 15/1000Ω PER COUPLER, 0Ω PER SCREW SETTING. COUPLER RESISTANCE OF SOLENOID DOESN'T NEED TO BE COUNTED) REFERENCE: AV2 (0.0088Ω/m) : ≤8.0m...WITHOUT TERMINAL RESISTANCE, AV3 (0.0056Ω/m) : ≤12.5m...SAME AS ABOVE. WHEN YOU EXCEED PERMISSIBLE RESISTANCE, ADOPT THE CIRCUIT IMPRESSED FROM THE POWER SUPPLY TO THE SOLENOID DIRECTLY USING A RELAY...REFER TO #
  2. HIGH TEMPERATURE PARTS, SUCH AS AN EXHAUST PIPE, SHOULD NOT APPROACH FOR THE PULL POWER FALL OF SOLENOID, AND HEATING PREVENTION OF INNER COIL TEMPERATURE. (PERMISSIBLE AMBIENT TEMPERATURE: -30~100℃)
  3. INSTALL FUSE TO PROTECT THE HARNESS AGAINST TROUBLES SUCH AS SHORT CIRCUIT OR CONTINUOUS DRIVE OF PULL-COIL.
  4. THE POWER SUPPLY OF SOLENOID MAY NOT BE COMMON WITH THE LINE OF ALTERNATOR INITIAL EXCITATOR AS SHOWN IN THIS DRAWING. (OTHERWISE, SOLENOID MAY LOOSE STOP FUNCTION DUE TO THE POWER SUPPLY FROM ALTERNATOR "L" TERMINAL.)
  5. IN CASE OF WATERPROOF CONNECT OR APPLICATION, CONNECTOR SHOULD BE FIXED BY FITTING TO PREVENT LEAD WIRE BREAK.
  6. IN CASE OF EMERGENCY STOP OF MACHINE FOR SAFETY WILL BE APPLIED, SWITCH LOCATION SHOULD BE SHOWN AS A.
  7. IN CASE OF THE SOLENOID CIRCUIT RESISTANCE WOULD BE LIMIT, # WIRING IS APPLICABLE.

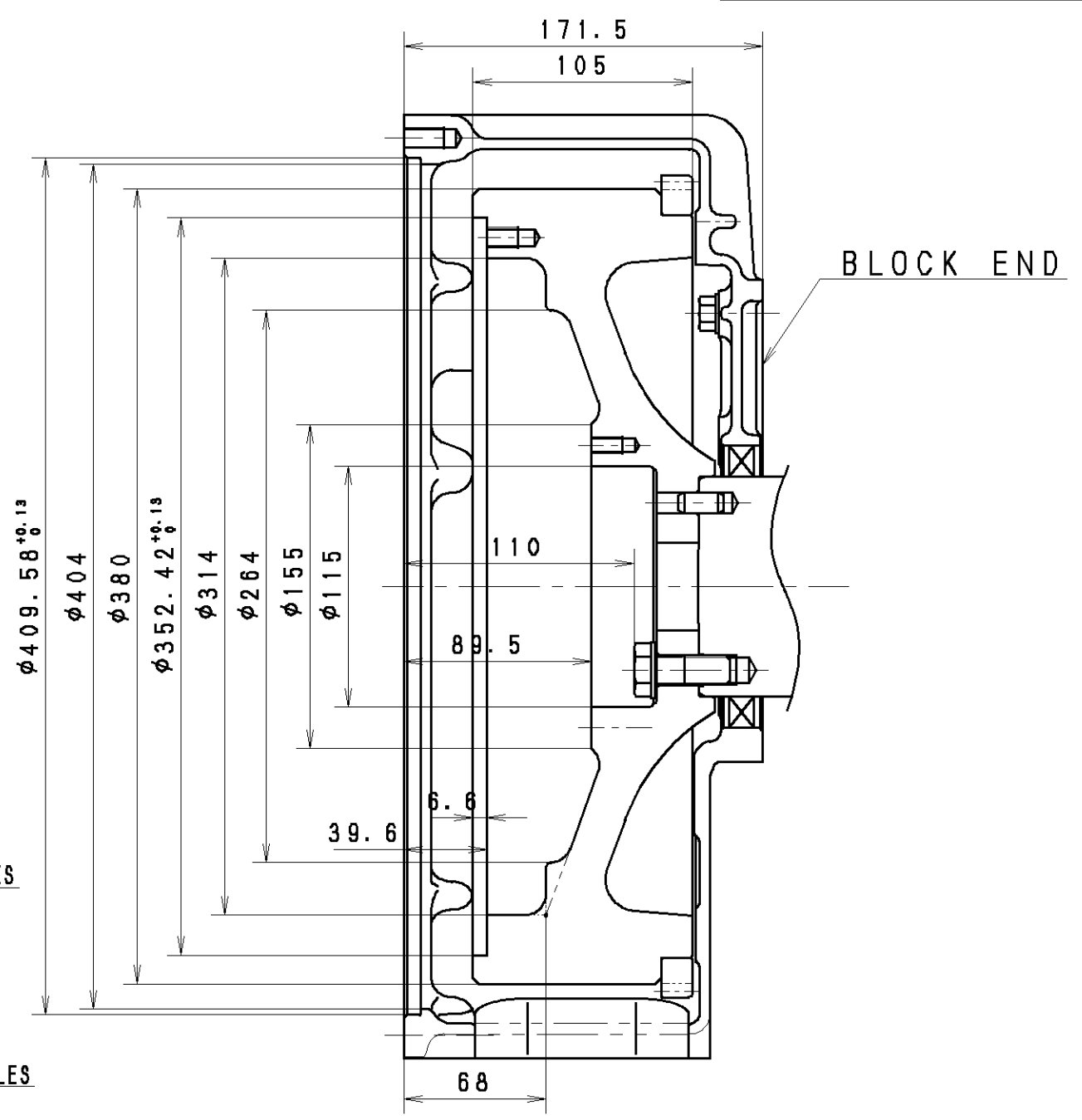
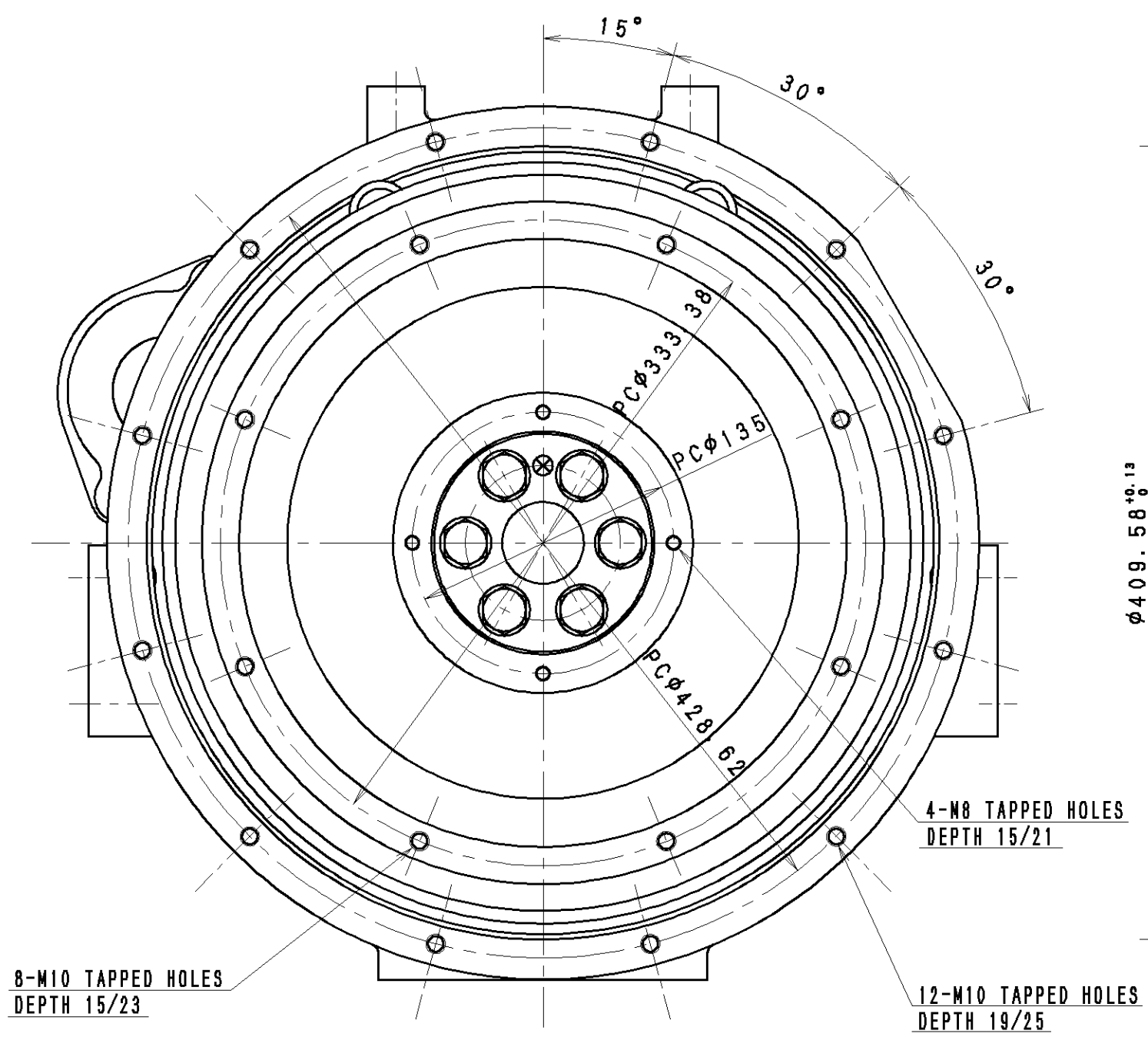
**REMARKS**  
1. \* MARKED PARTS ARE NOT PROVIDED BY YANMAR.

素材質量 WEIGHT (RAW)	(± %)	水圧試験 HYDRAULIC TEST	MPa	小形工開発部	部長 G. MANAGER	技部長 MANAGER
完成質量 WEIGHT (總重量)	(± %)	空圧試験 PNEUMATIC TEST	MPa			
主席	長 SEC. MANAGER <i>J. Mochida</i>	機種 MODEL	4TNV 106 4TNV 106T			
検図 CHECKED	機能担当者 SPECIALIST	個数 QTY.		尺度 SCALE	SCALE OUT	
設計 DESIGNED	製図 DRAWN	年月日 DATE	名称 NAME	ケツセンス		
2002 1.29			WIRING DIAGRAM WIRING DIGLAM			
<b>YANMAR CO., LTD.</b> ENGINE PRODUCT OPERATIONS DIV.				コード CODE	E3-23907-0010	
				Rev. 1 Rev. 2 Rev. 3 Rev. 4 Rev. 5	A2 (C)	



形状寸法コード \_\_\_\_\_ G.T.CODE M \_\_\_\_\_

真円度・円筒度八、半径法



重要ポイント	○
着度/種類ト記号	
種類	記号
真直度	—
真円度	○
線形	∩
平面度	□
円筒度	○
面形	∩
平行度	∥
直角度	⊥
傾斜度	∠
位置度	⊕
同軸度	◎
対称度	≡
円筒度	∩
全線公差	∩

Flywheel Housing	123910-01600
Flywheel	123915-21400
Ring Gear	127410-21480

素材質量 WEIGHT (RAW)	(± %)
完成質量 WEIGHT (組立時)	(± %)
長 SEC. MANAGER	未歴 CAREER
検閲 CHECKED	機能担当者 SPECIALIST
設計 DESIGNED	検閲 DRAWN
年月日 DATE	YANMAR DIESEL ENGINE CO., LTD.
1999	ENGINE DEVELOPMENT DEPT.
3. 5	GROUP. USER=?

水圧試験 HYDRAULIC TEST	MPa kg/cm <sup>2</sup>	エンジニア MANAGER	部長 MANAGER	一技長 MANAGER
空圧試験 PNEUMATIC TEST	MPa kg/cm <sup>2</sup>			
機種 MODEL	4TNE 106 -GIA	4TNE 106T -GIA	尺度 SCALE	1/3
数量 QTY.	1	1	材質 MATERIAL	---
名称 NAME	直結部詳細図 COUPLING DIMENSIONS			

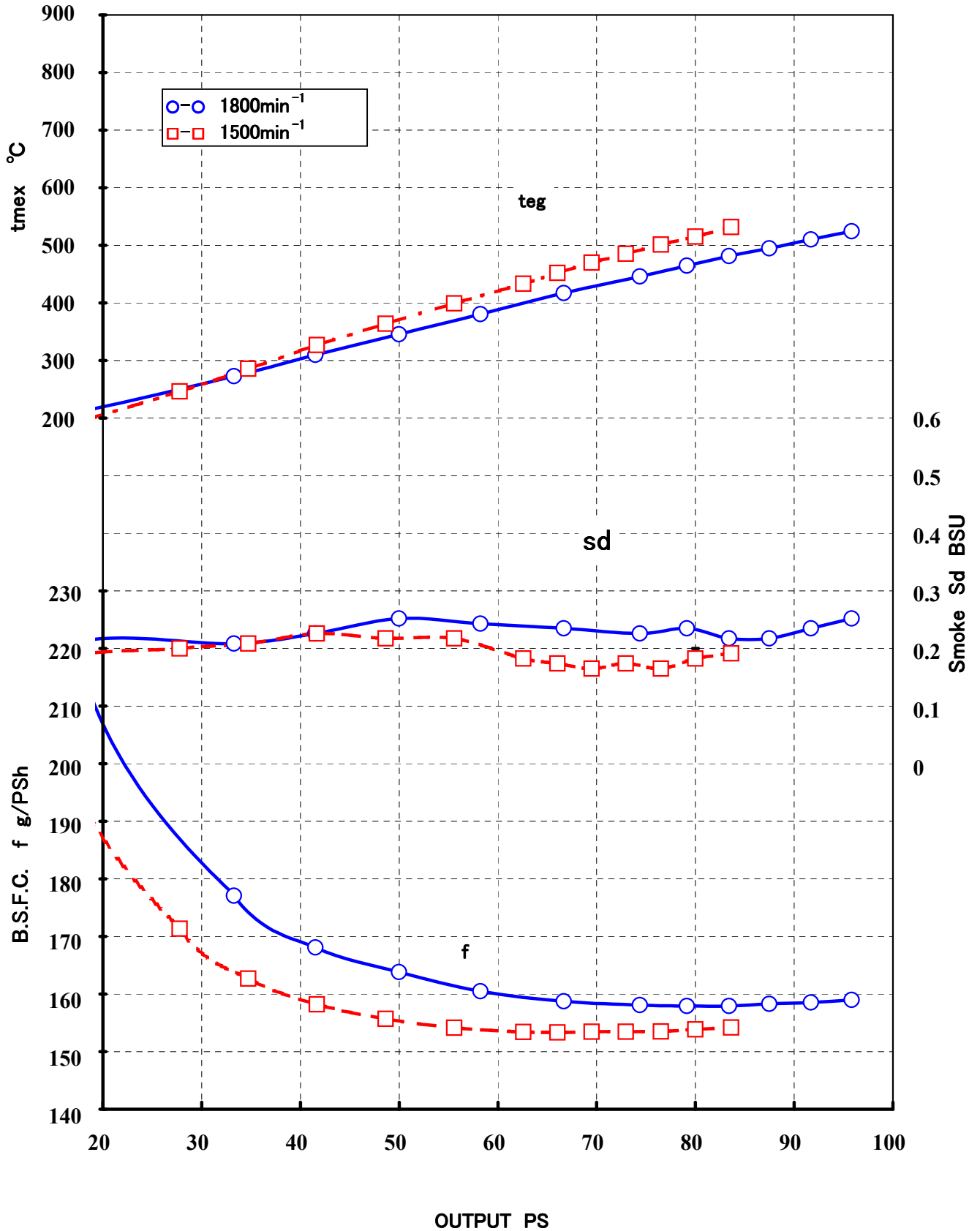
名称 NAME	直結部詳細図 COUPLING DIMENSIONS			
年月日 DATE	YANMAR DIESEL ENGINE CO., LTD.			
1999	ENGINE DEVELOPMENT DEPT.			
3. 5	GROUP. USER=?			
コード CODE	Z3-23915-1100			
	CAD PN. FN=?			
	A3 (B)			

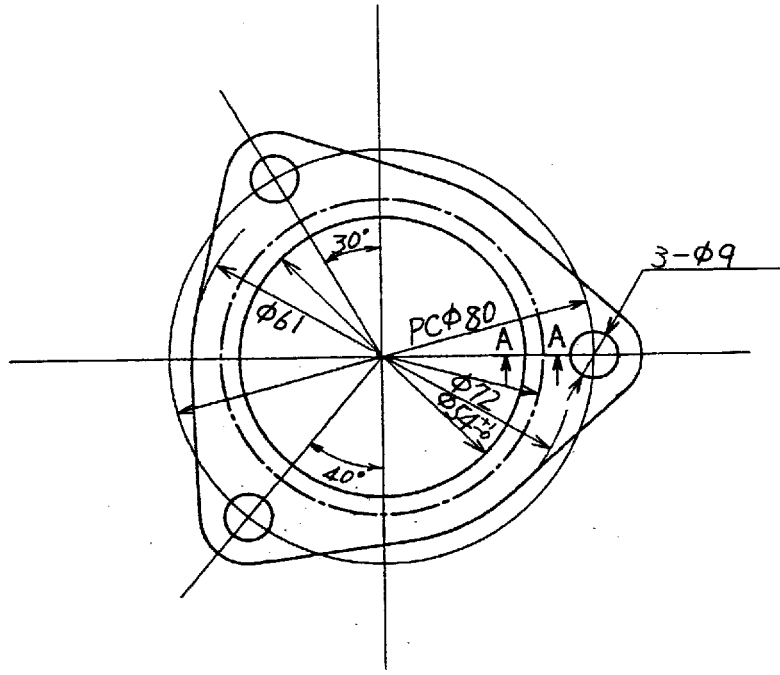
# Fig. 4TNV106T Engine performance curve

n-BxS:4-106x125  
 Displacement : 4.412zl

Silencer	123912-13531
Air cleaner	8inch
CW fan	123915-44741

Crank pulley	D=150
Fan pulley	D=130
φ 550	PushF





$t = 0.5$

GASKET, TURBOCHARGER

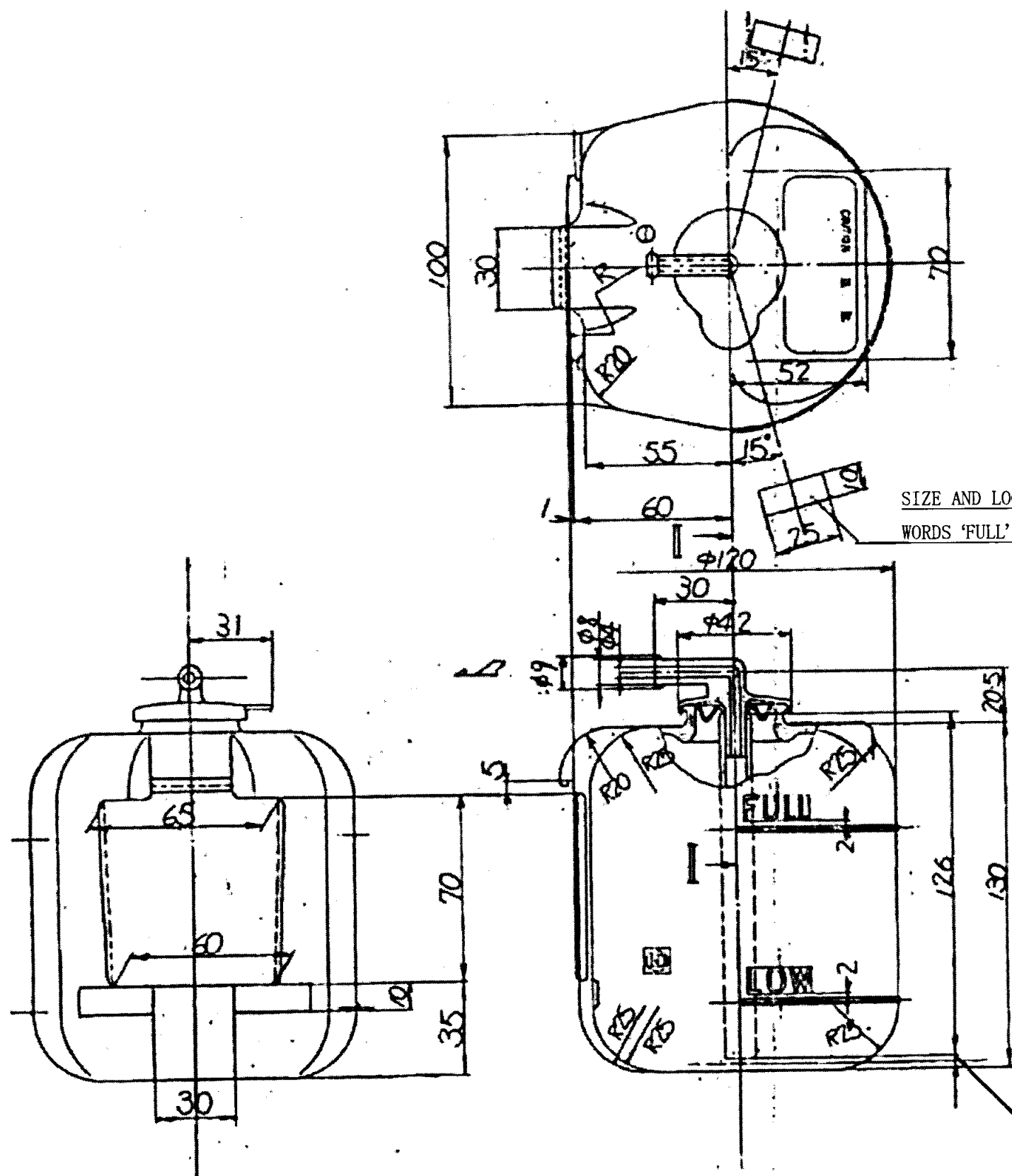
**YANMAR**

ENGINE PRODUCT OPERATIONS DIV., YANMAR CO., LTD.

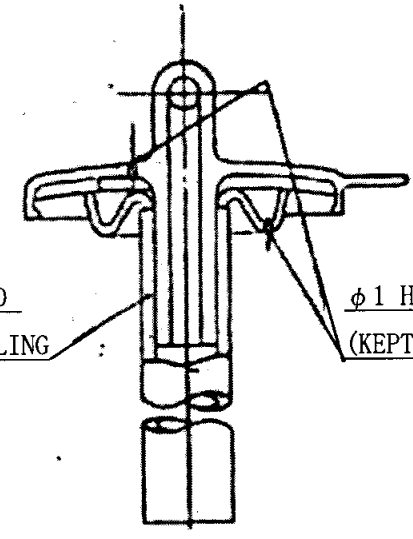
CODE

129472-13520





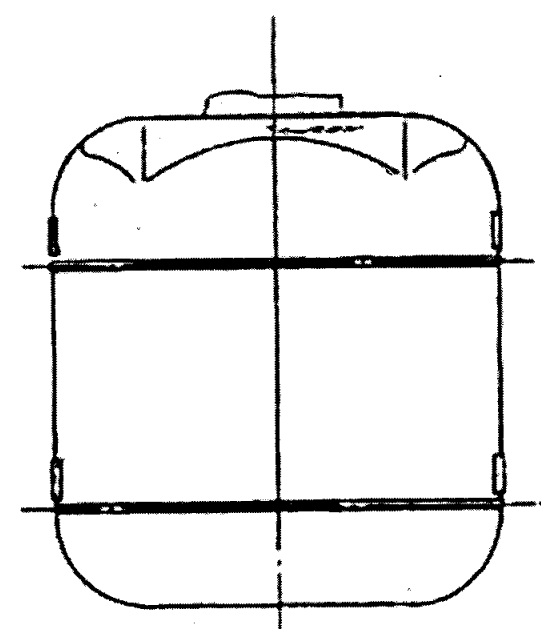
SIZE AND LOCATION OF WORDS 'FULL' AND 'LOW'



APPLY BOND ON ASSEMBLING

φ 1 HOLE FOR BREATHING (KEPT ≥ 90° APART FROM EACH OTHER)

SECTION I - I (1/1)

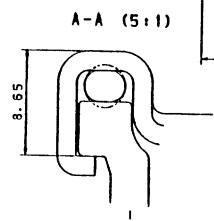
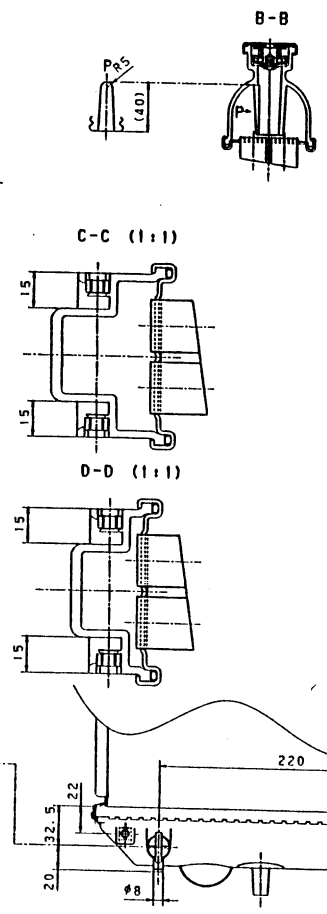
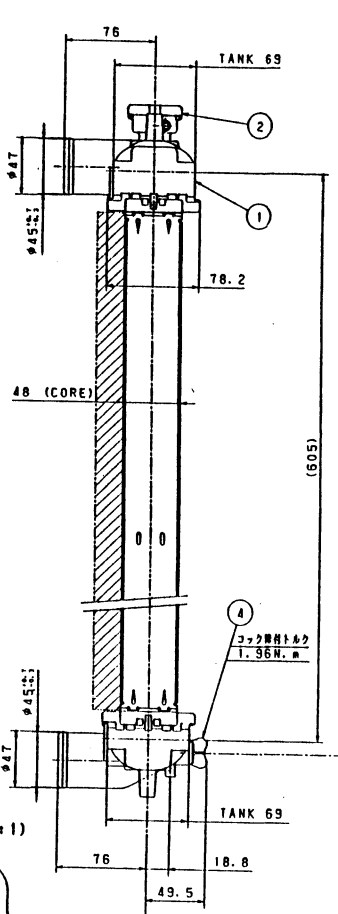
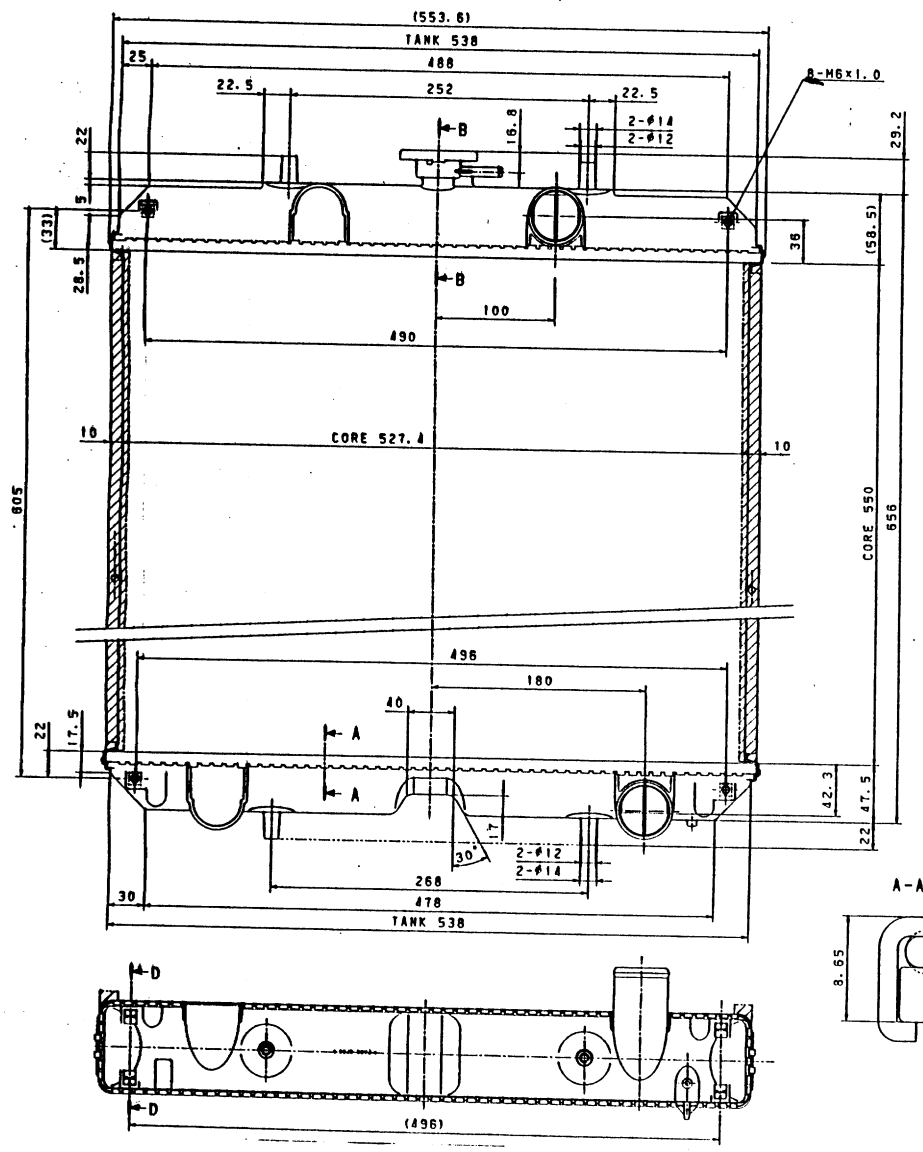
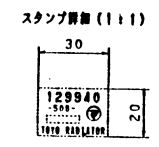
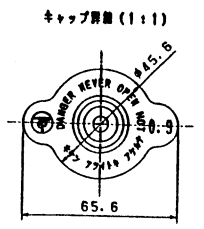
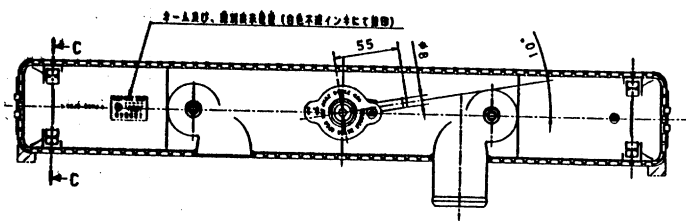


MORE THAN 2mm BETWEEN TANK AND HOSE

REMARK

1. Volume ≥ 1.25 l LEVEL 'FULL' : APPROX. 0.8 l  
'LOW' : APPROX. 0.2 l
2. TANK MATERIAL: P. P. (HEAT RESISTANCE)
3. VIBRATION PROOF: 3G × 10<sup>6</sup> CYCLES (VERTICAL)
4. HEAT RESISTANCE: 110°C

ヤンマーディーゼル株式会社	
適用名称	
適用機種	
部品名称	SUB TANK
部品コード	120445 - 44530

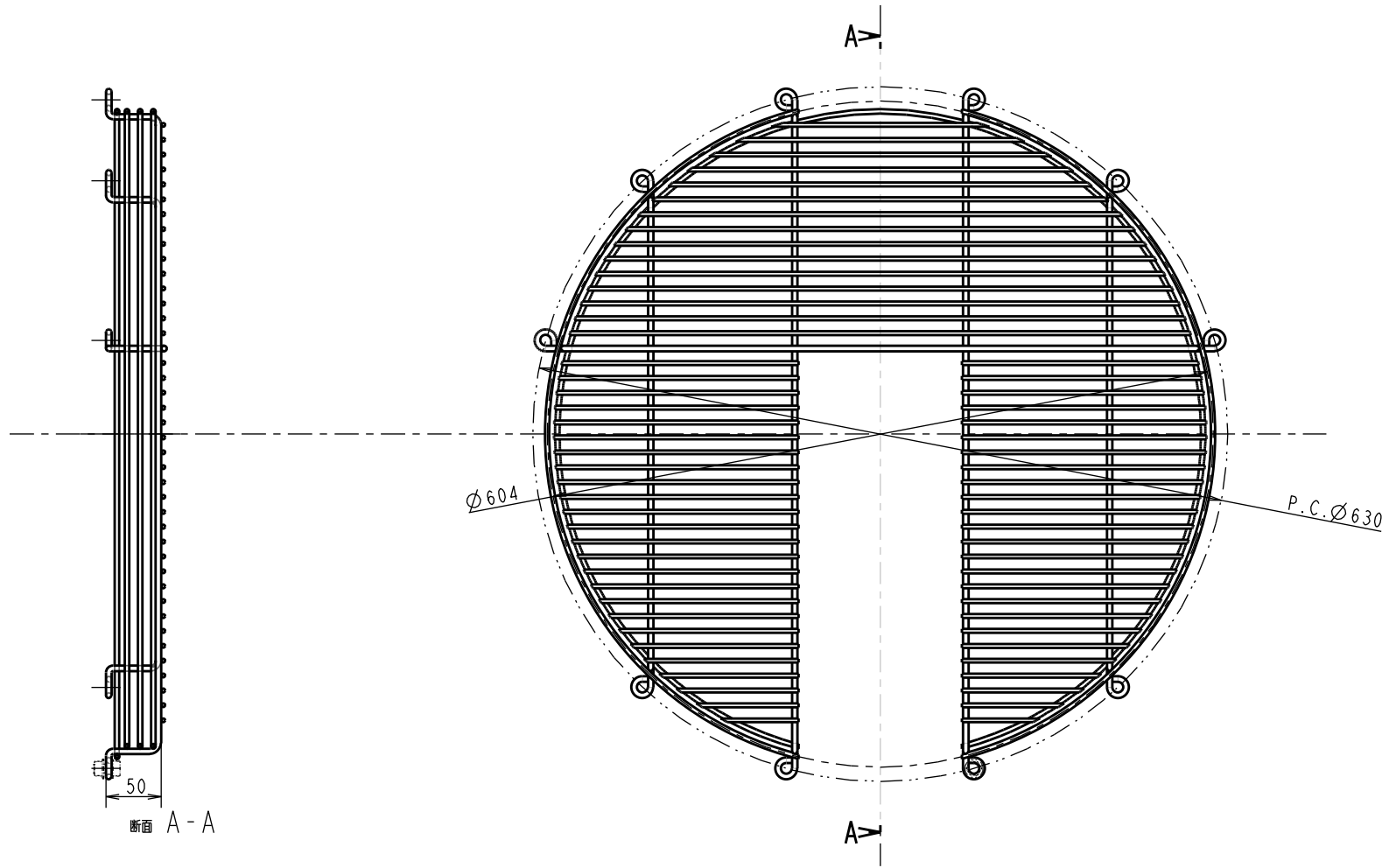


ラジエーター	
型式	ラジエーター
容量	8
冷却能力	40
冷却液	50
冷却液循環速度	60.3
冷却液循環圧力	343
冷却液循環抵抗	4.90
冷却液循環流量	177
冷却液循環速度	58.8
冷却液循環抵抗	22.3
冷却液循環流量	10 <sup>3</sup>
コアタイプ	CF27-2
コア容量	527.4
コア冷却能力	550
コア冷却液	48
コア冷却液循環速度	4.0/2
コア冷却液循環抵抗	12.28
コア冷却液循環流量	2.69
コア冷却液循環抵抗	14.97
コア冷却液循環流量	0.29
コア冷却液循環抵抗	28.9
コア冷却液循環流量	3.8
コア冷却液循環抵抗	(7.0)
冷却液循環抵抗	無定数

ヤンマー株式会社	
適用名称	
適用機種	
部品名称	ラジエーター
部品コード	129940-44510

NO.	REVISION	DATE	DESCRIPTION	MATERIAL	QTY	REMARKS
4			パネン	URF	2	15Wx231
3			コア ASSY	ASSY	1	M14x2.0
2			フリップトップ	ASSY	1	88x14.7x14
1			ラジエーター C COMP	ASSY	1	

3D-CAD



GUARD, FAN ファンガード	
<b>YANMAR</b>	CODE 123915-44570
ENG. MODEL	??????
ENGINE PRODUCT OPERATIONS DIV., YANMAR CO., LTD.	

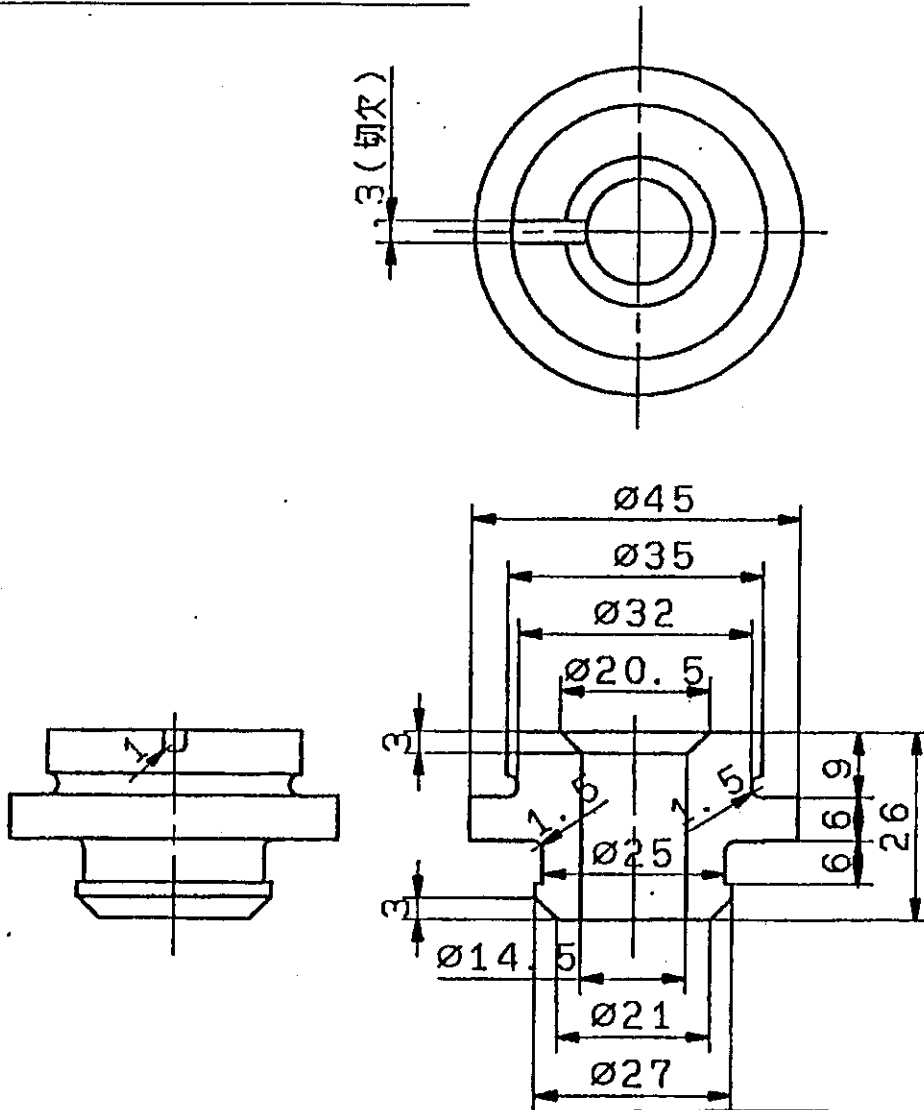
備考

1. 材質: CR, J4 硬度  $70^{\circ} \pm 5^{\circ}$

Note

material: CR

rubber hardness:  $70^{\circ} \pm 5^{\circ}$



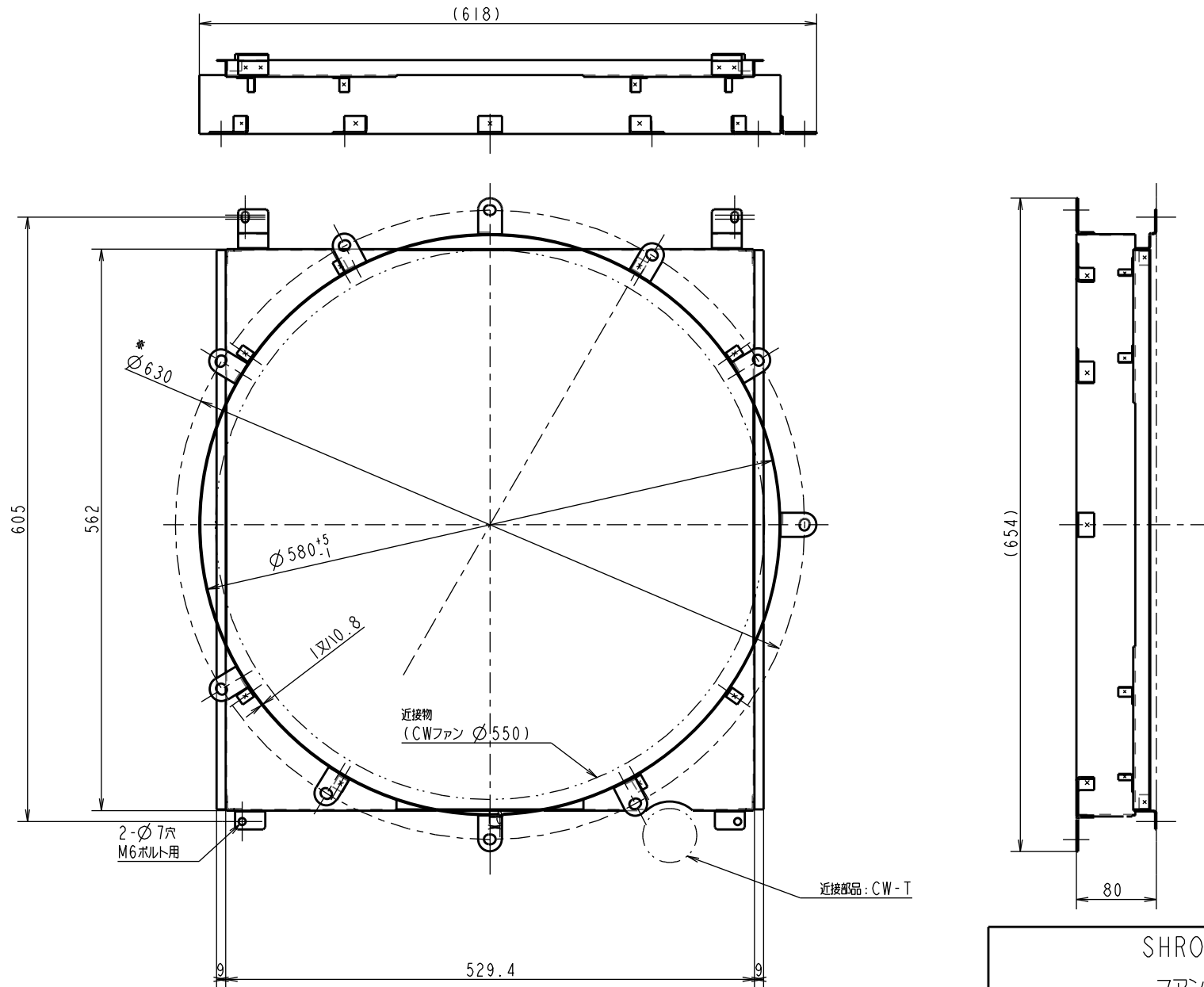
Dumper

ヤンマーディーゼル株式会社	
適用名称	
適用機種	
部品名称	円板 (32φ)
部品コード	119255-44660

Silent blocks

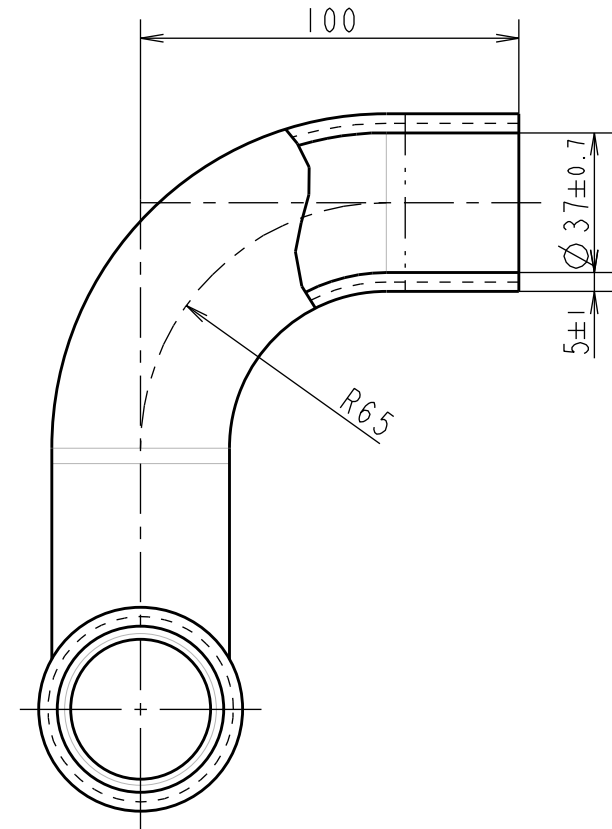
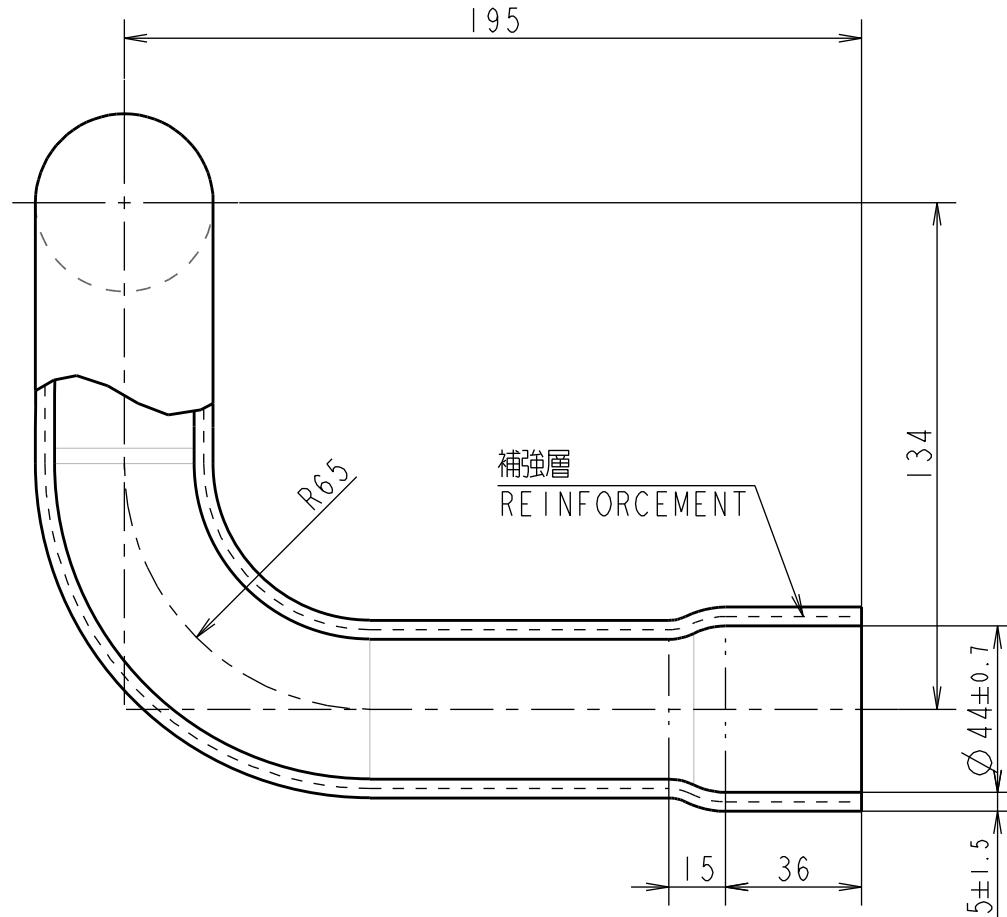


3D-CAD



SHROUD, FAN ファンシユラウト		
<b>YANMAR</b>	CODE	123915-44760
ENG. MODEL	??????	ENGINE PRODUCT OPERATIONS DIV., YANMAR CO., LTD.

3D-CAD



PIPE, COOLING WATER

CW-T(A)

**YANMAR**

ENGINE PRODUCT OPERATIONS DIV., YANMAR CO., LTD.

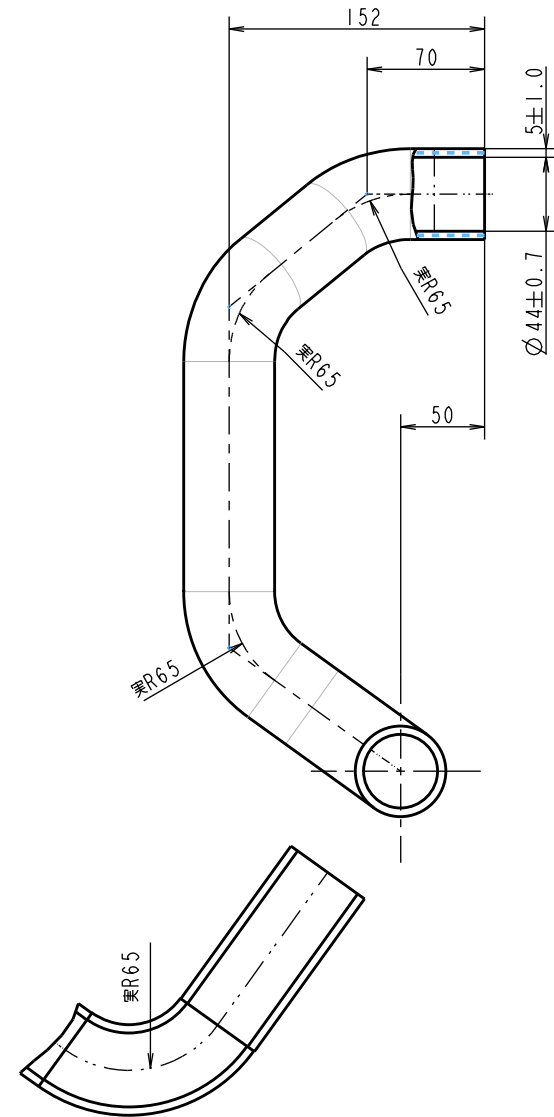
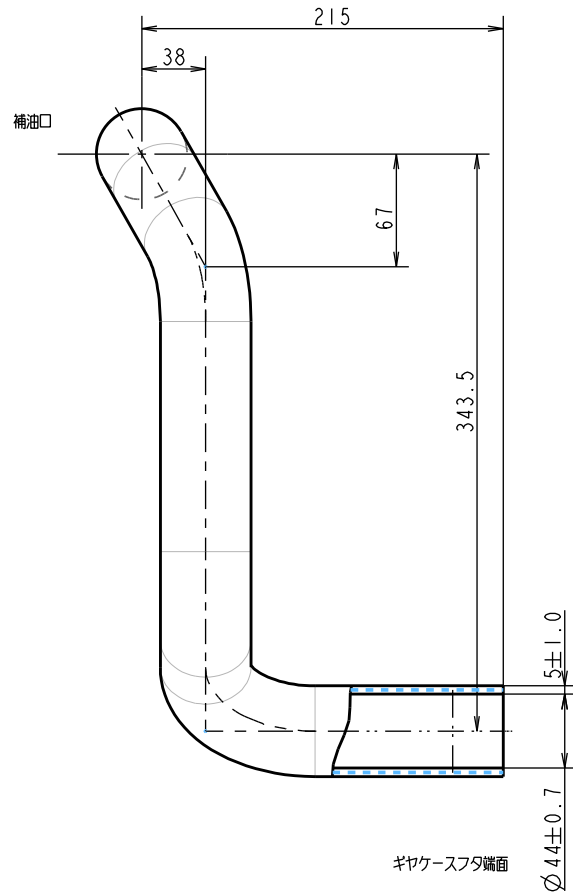
CODE

123901-49050

ENG. MODEL

??????

3D-CAD



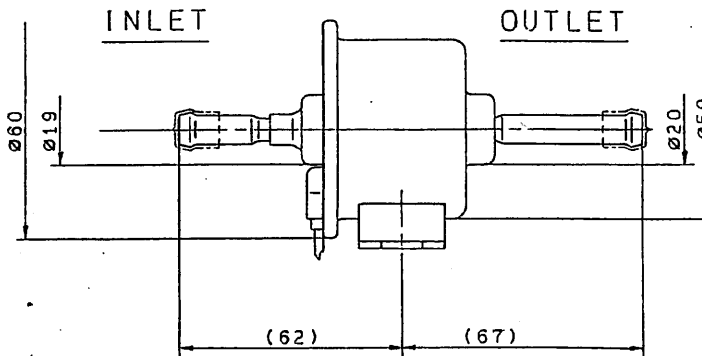
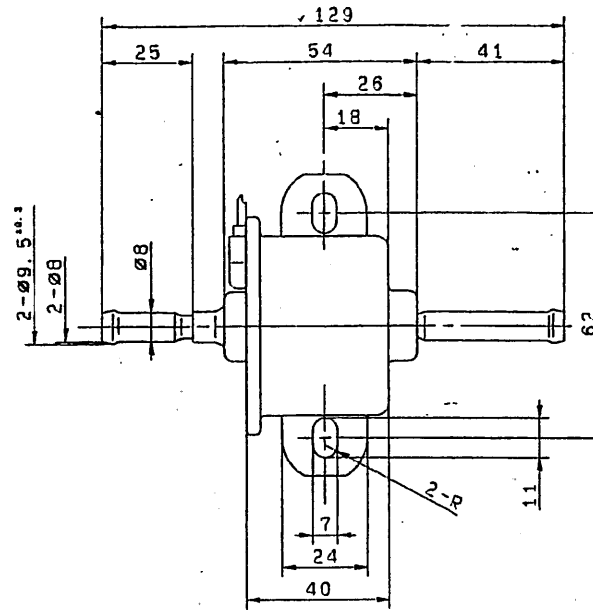
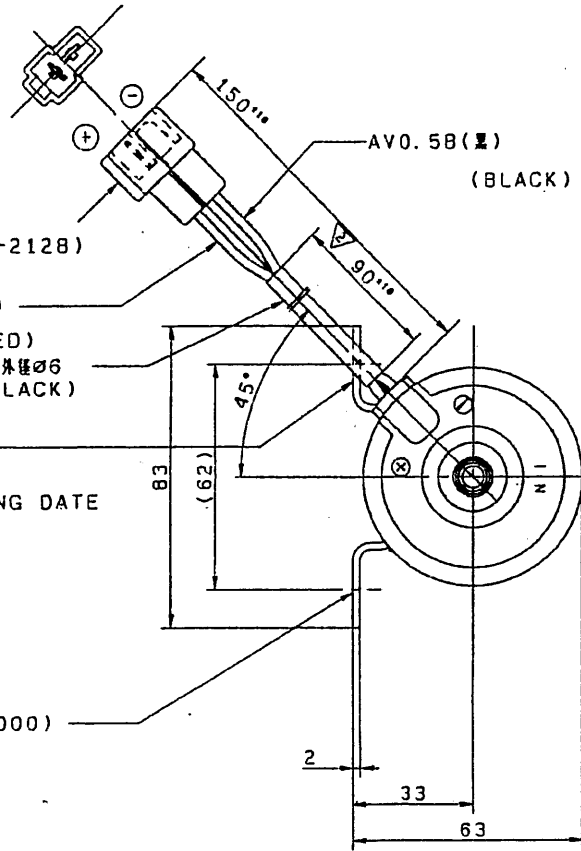
CW-T(B)	
CW-T(B)	
<b>YANMAR</b>	
ENG. MODEL	??????
ENGINE PRODUCT OPERATIONS DIV., YANMAR CO., LTD.	CODE 123947-49070

矢崎 7322-2128  
(YAZAKI 7322-2128)

AVO. 5R(赤)  
(RED)  
ビニールチューブ(黒) 外径φ6  
VINYL TUBE(BLACK)

製造年月日刻印  
(例 7410)  
MANUFACTURING DATE  
(EX. 7410)

略品番刻印(2000)  
PART NO.



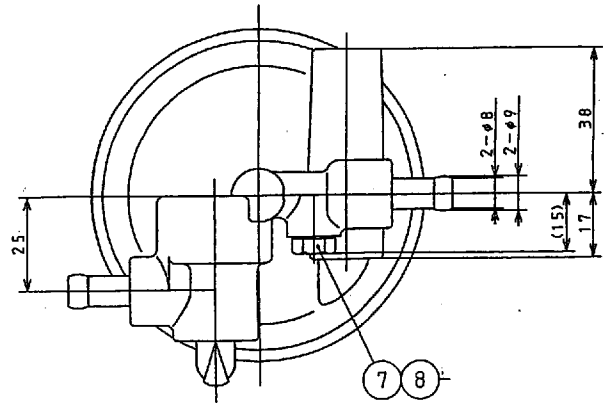
SPECIFICATIONS

(ROOM TEMPERATURE CHARACTERISTIC.  
MEASUREMENT METHOD AND EQUIPMENT  
ARE BASED ON JIS D3606)

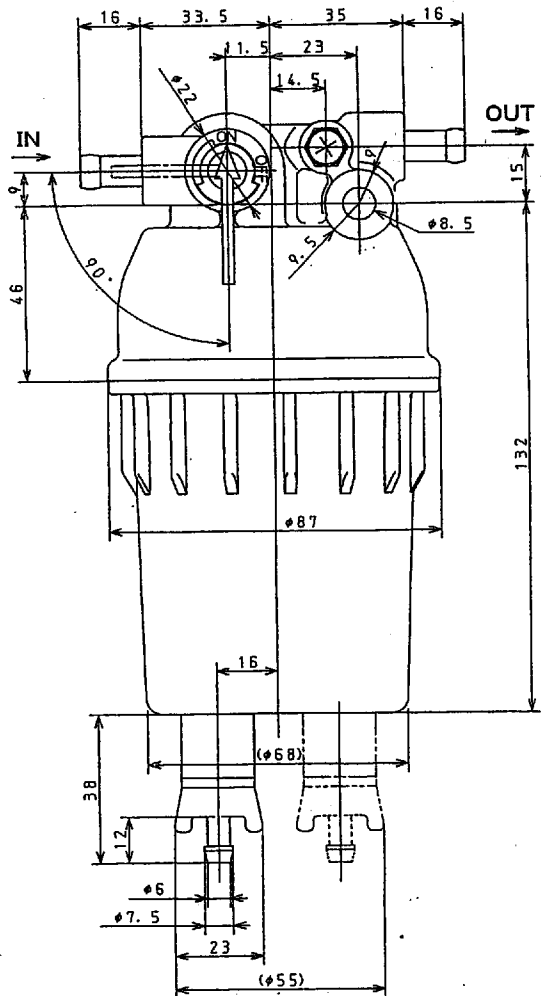
1. RATED VOLTAGE: 12V DC
2. OPERATING VOLTAGE RANGE: 8.5~16.5V
3. OPERATING CURRENT: MAX 1.5A
4. DELIVERY: MIN 400cm<sup>3</sup>/min AT FREE FLOW (9.8kPa(0.1kgf/cm<sup>2</sup>) TOTAL PRESSURE)
5. TOTAL PRESSURE (DELIVERY + SUCTION)  
: MAX 37.3kPa(0.38kgf/cm<sup>2</sup>) AT ZERO DELIVERY
6. SUCTION PRESSURE AT DRY CONDITION  
: MAX -4.0kPa(-30mmHg)
7. AIR TIGHTNESS: SHOULD HAVE NO LEAKAGE UNDER A PRESSURE OF 98kPa(1kgf/cm<sup>2</sup>) APPLIED TO INLET AND OUTLET FOR 15 SECONDS
8. OPERATING TEMP. RANGE: -30~70°C
9. TEST FUEL: JIS K2203 OR K2201
10. FIXING DIRECTION FOR TEST: INLET & OUTLET PIPES HORIZONTALLY
11. MASS: 305g
12. SURFACE TREATMENT: ZINCIFICATION

YANMAR DIESEL

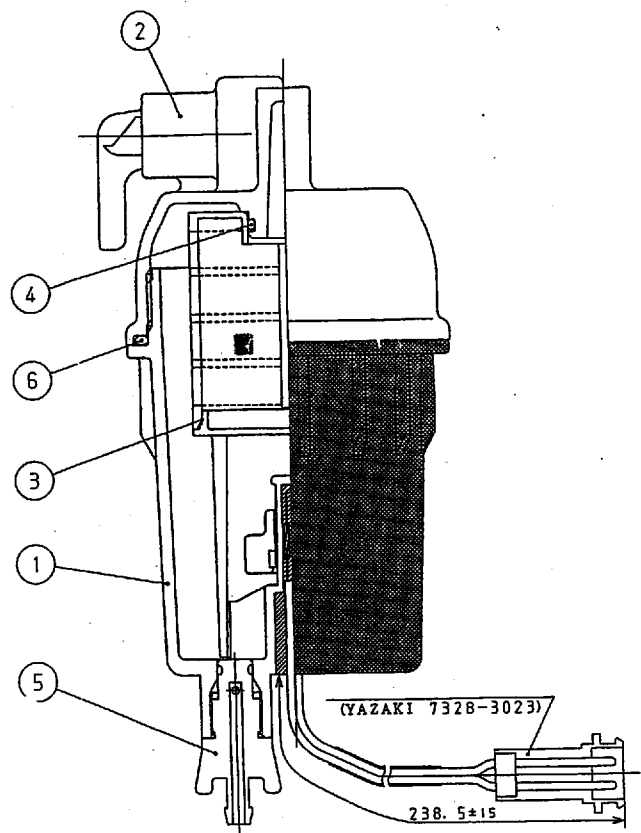
PARTS NAME	FUEL FEED PUMP
PARTS CODE	119225-52102



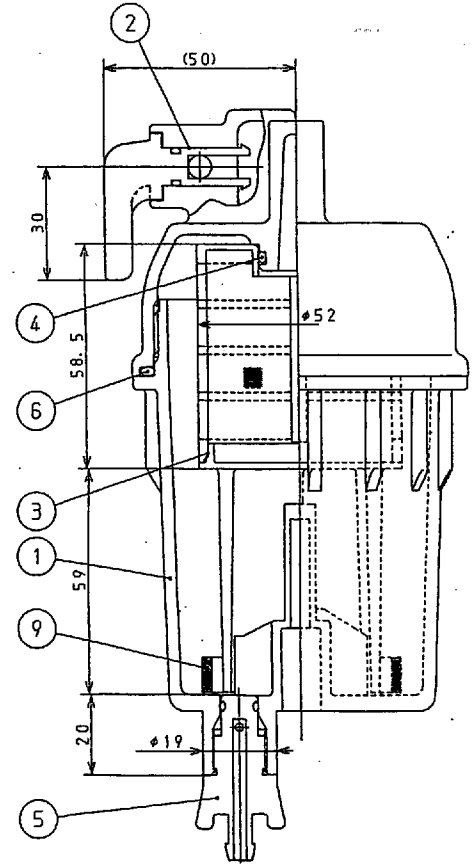
PART CODE	CUP COLOR	ALARM SENSOR
129242-55700	TRANSPARENT	NOT PROVIDE
129245-55700	BLACK	PROVIDE



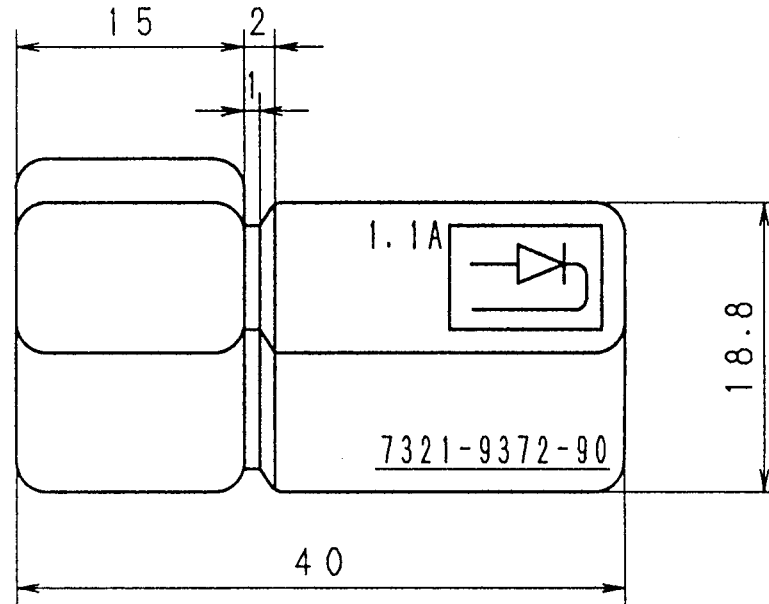
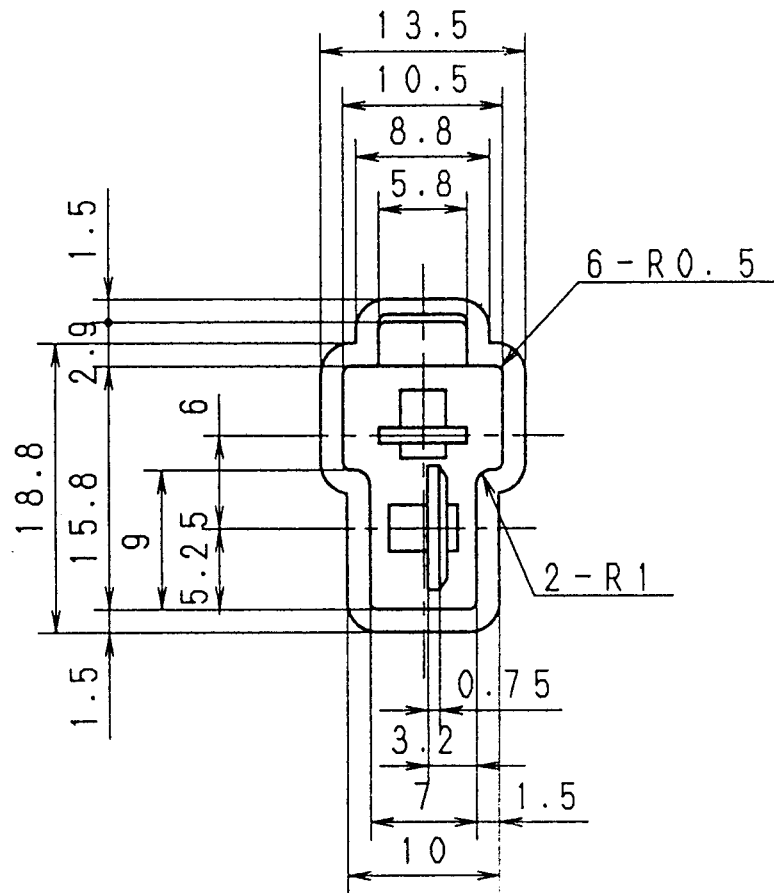
129245-55700 (BLACK CUP)



129242-55700 (TRANSPARENT CUP)

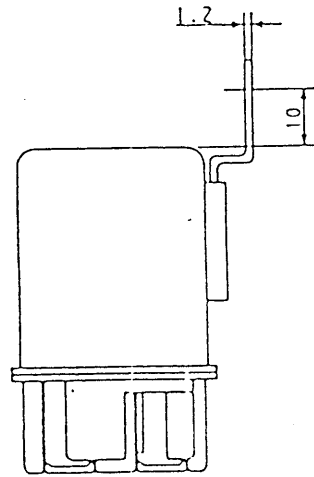
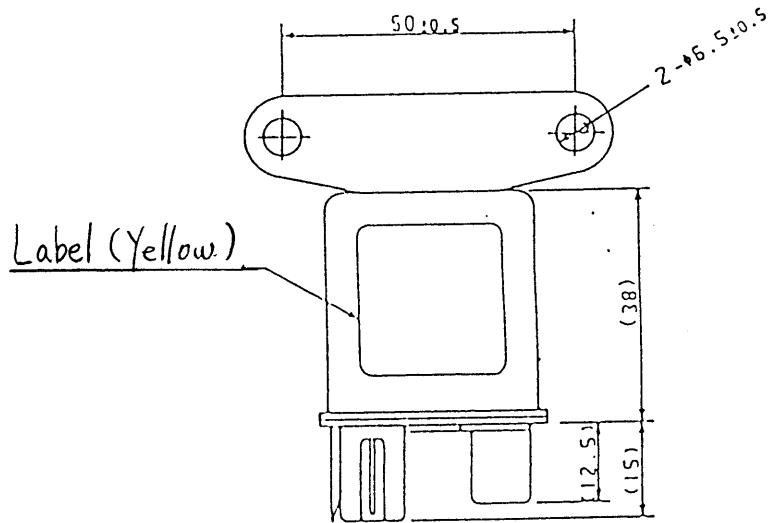


YANMAR CO., LTD	
PARTS NAME	WATER SEPARATOR
PARTS CODE	129242-55700
	129245-55700

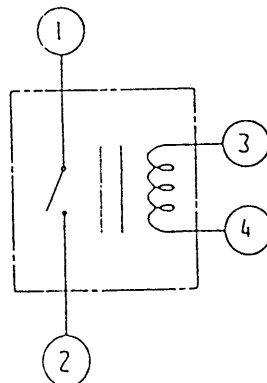
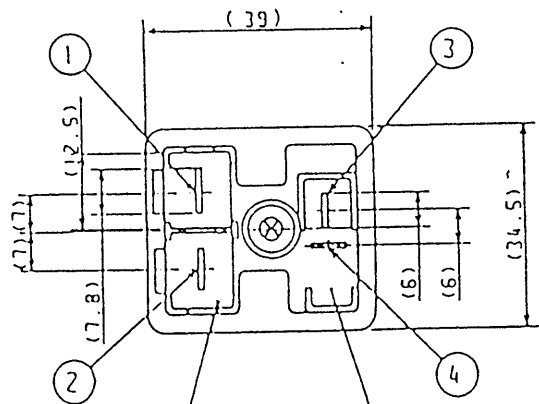


Mate coupler : 7123-2228  
 Mate terminal : 7116-2090

DIODE		
<b>YANMAR DIESEL ENGINE CO., LTD.</b>	DWG. NO.	_____
		119643-66900



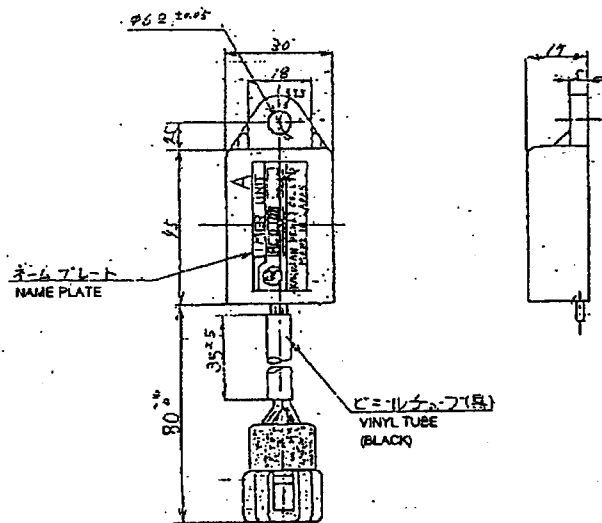
Rated Voltage	DC 12 V
Continuous Rating	10 MIN
Coil Resistance	37 Ω
Inductance	66 mH (AT 1 kHz)



Mate Connector  
2 pcs. 7323-3010  
(YAZAKI Company)

Mate Connector  
7323-2228 (YAZAKI Company)

NAME	Relay
CODE	119650-77910

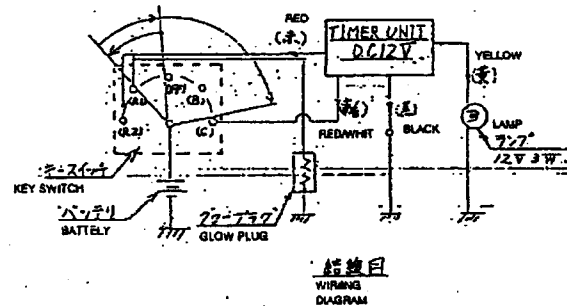
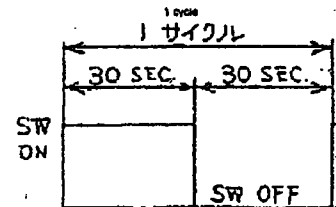
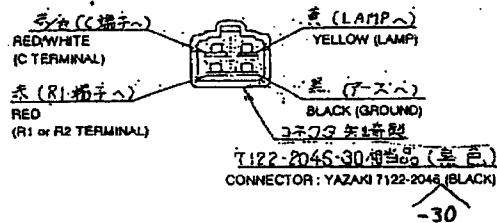


仕様

1. リレーON時間 : 15±3 (sec.)
2. 使用温度範囲 : -25℃~+80℃
3. 保存温度範囲 : -25℃~+80℃
4. 使用電源電圧範囲 : 8V~15V
5. 適用リレー仕様 : 12V 励磁電流 : 1A
6. 耐水性 : 清水中10cmノ所ニ24時間保持シタ後、水分ヲ拭キ取り自然乾燥後、性能ニ異常ナキコト。但シ、カブラ及ビコネクタ部分ハ浸水ガ無いヨウニ行ウコト。
7. 耐振性 : 20G一定ニテ100~1000Hz60secスイープニテX, Y, Z方向各2Hr振動ヲ与エ性能ニ異常ナキコト。但シ、ワイヤーハーネスハ共振ナキヨウ取り付ケルコト。
8. 耐久性 : 30000サイクル動作サセタ後性能ニ異常ナキコト。

SPECIFICATIONS

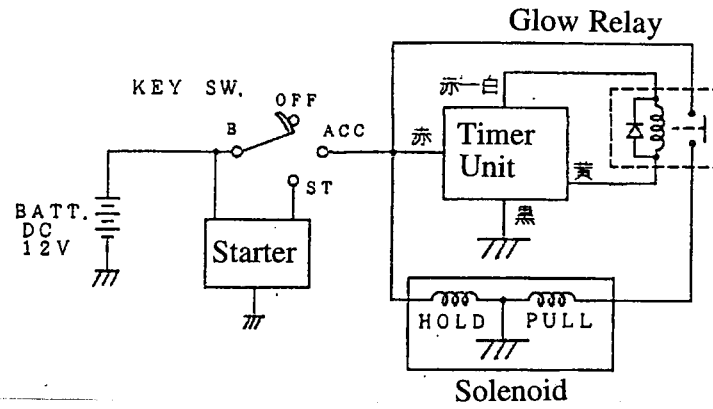
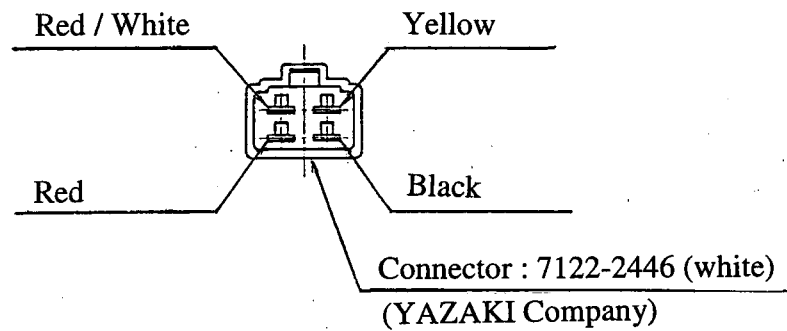
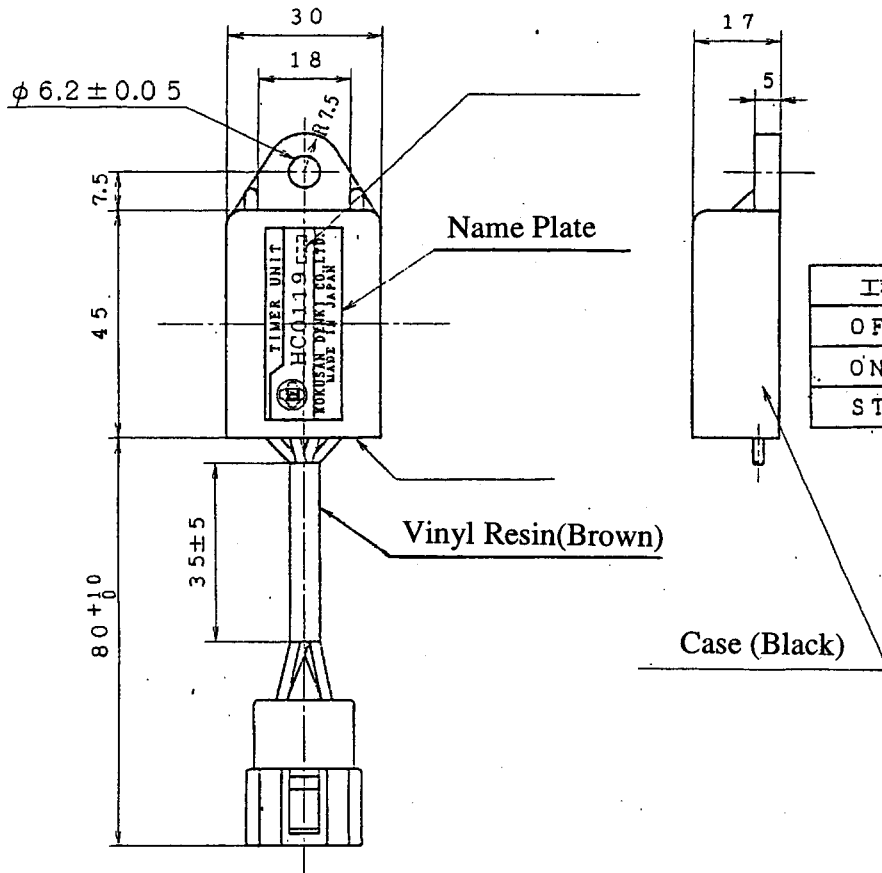
1. OPERATION TIME : ON AFTER 15 sec.
2. USABLE TEMPERATURE RANGE : -25℃~+80℃
3. PRESERVE TEMPERATURE RANGE : -25℃~+80℃
4. USABLE VOLTAGE RANGE: 8V~15V
5. APPLICABLE RELAY : 12V
6. WATERPROOFING : DO NOT EXPOSED TO THE RAIN ON CONNECTOR AND TERMINAL.
7. VIBRATION RESISTANCE : 20G
8. DURABILITY : 30000 cycle



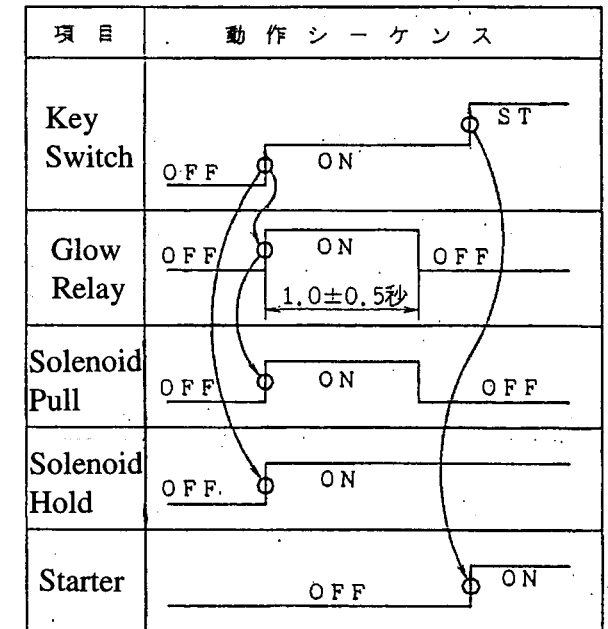
MODEL	TNE SERIESE
部品名称	ランプタイマ
NAME	TIMER,GLOW PLUG
PART No.	128300-77920



3D-CAD



工種	B	ACC	ST
OFF			
ON	○	○	
ST	○	○	○



TIMER (1 sec)  
タイマー (1 sec)

<b>YANMAR</b>	CODE	129211-77920
ENGINE PRODUCT OPERATIONS DIV., YANMAR CO., LTD.		