

PARTS CATALOGUE

RESERVDELS KATALOG

ERSATZTEIL KATALOG

CATALOGUE DE PIECES

YANMAR
YANMAR DIESEL ENGINE
TNV SERIES

4TNV88-GGE



CONTENTS

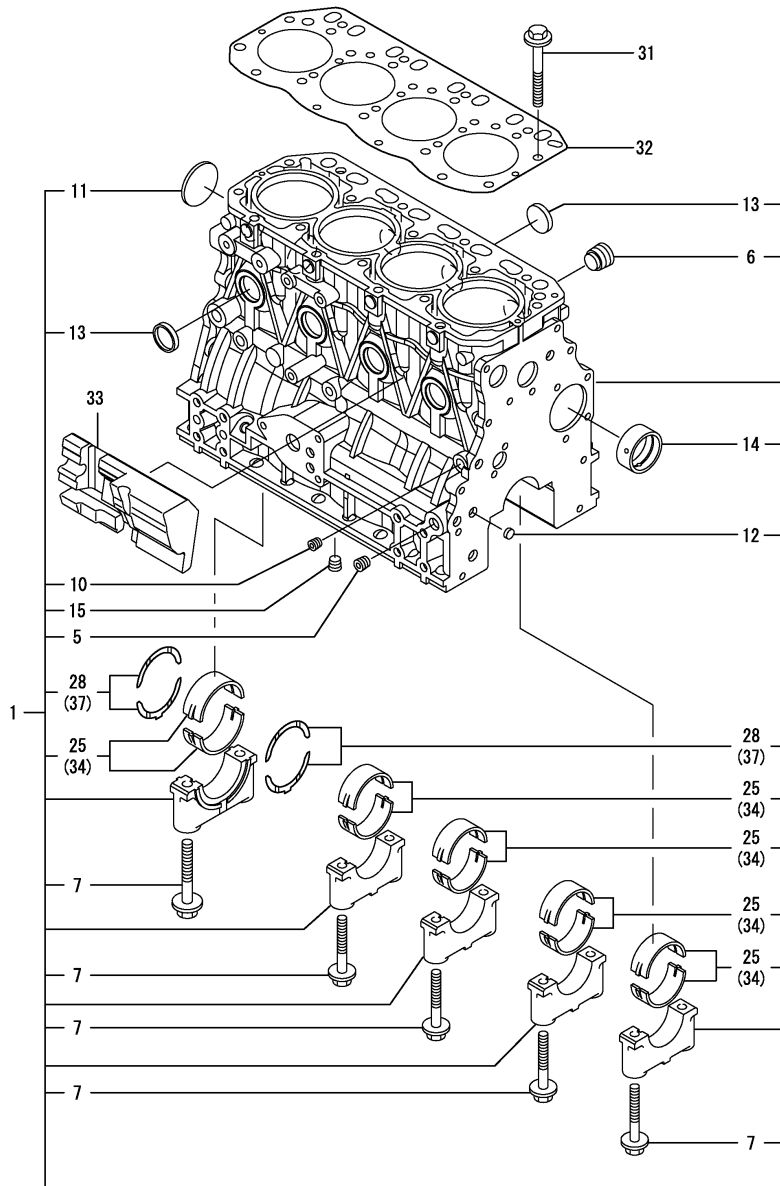
Fig.No. GROUP NAME

ENGINE SECTION

- 1. CYLINDER BLOCK**
- 2. GEAR HOUSING 4TNV88-DSA,DSA2,DSA3**
- 3. GEAR HOUSING 4TNV88-GGE**
- 4. FLYWHEEL HOUSING & OIL SUMP**
- 5. CYLINDER HEAD & BONNET**
- 6. SUCTION MANIFOLD**
- 7. EXHAUST MANIFOLD**
- 8. CAMSHAFT & DRIVING GEAR**
- 9. CRANKSHAFT & PISTON**
- 10. LUB.OIL SYSTEM**
- 11. COOLING WATER SYSTEM**
- 12. FUEL INJECTION PUMP**
- 13. FUEL INJECTION VALVE 4TNV88-DSA,DSA2,DSA3**
- 14. FUEL INJECTION VALVE 4TNV88-GGE**
- 15. FUEL LINE**
- 16. STARTING MOTOR 4TNV88-DSA,DSA2,DSA3**
- 17. STARTING MOTOR 4TNV88-GGE**
- 18. GENERATOR**
- 19. GASKET SET**

Fig.1. CYLINDER BLOCK

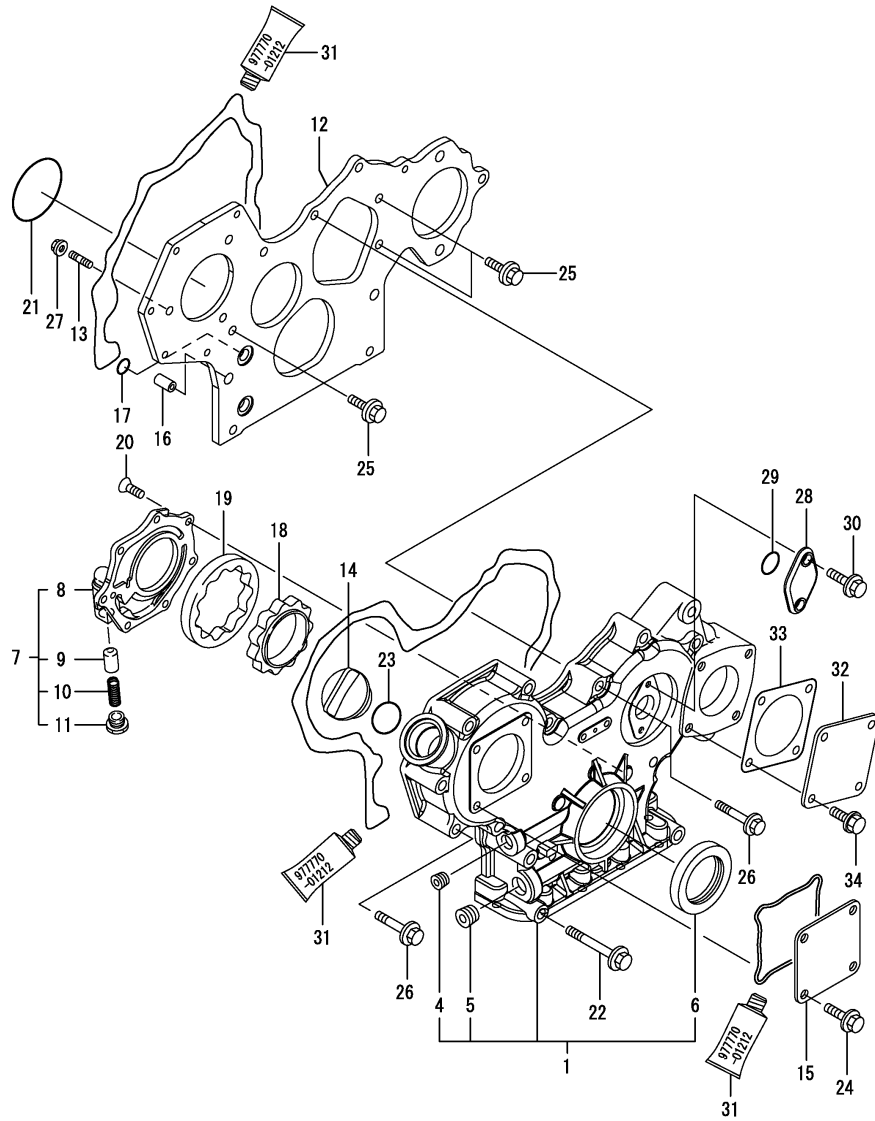
(A)=4TNV88-DSA (D)=4TNV88-GGE
 (B)=4TNV88-DSA2 (E)=
 (C)=4TNV88-DSA3 (F)=



REF.	LEV.	PARTS NO.	DESCRIPTION	QTY						I	R
				(A)	(B)	(C)	(D)	(E)	(F)		
1	1	729602-01560	BLOCK ASSY, CYLINDER	1	1	1	1				
5	2	124160-01910	PLUG PT1/4	2	2	2	2				
6	2	171051-01921	PLUG	1	1	1	1				
7	2	129150-02020	BOLT, METAL CAP	10	10	10	10				
10	2	124060-01050	PLUG PT1/8	1	1	1	1				
11	2	129001-01250	PLUG 50	1	1	1	1				
12	2	27241-120000	PLUG 12	2	2	2	2				
13	2	27241-300000	PLUG 30	8	8	8	8				
14	2	129795-02411	BUSH, CAMSHAFT	1	1	1	1				
15	2	124160-01910	PLUG PT1/4	1	1	1	1				
25	2	129001-02930	MAIN BEARING SET	5	5	5	5				3
28	2	129150-02930	METAL, THRUST	2	2	2	2				
31	1	129150-01200	STUD, CYL. HEAD	18	18	18	18				
32	1	129407-01340	GASKET, CYL. HEAD	1	1	1	1				
33	1	129004-01190	SPACER	1	1	1	1				
34	1	129150-02870	MAIN METAL US=0.25	5	5	5	5				1
37	1	129150-02940	METAL, THRUST.25(2PIE	1	1	1	1				2

Remarks
 (1) UNDER-SIZE(U.S=0.25)PART.
 (2) OVER-SIZE(O.S=0.25)PART.
 (3) REPAIR PART.

Fig.2. GEAR HOUSING



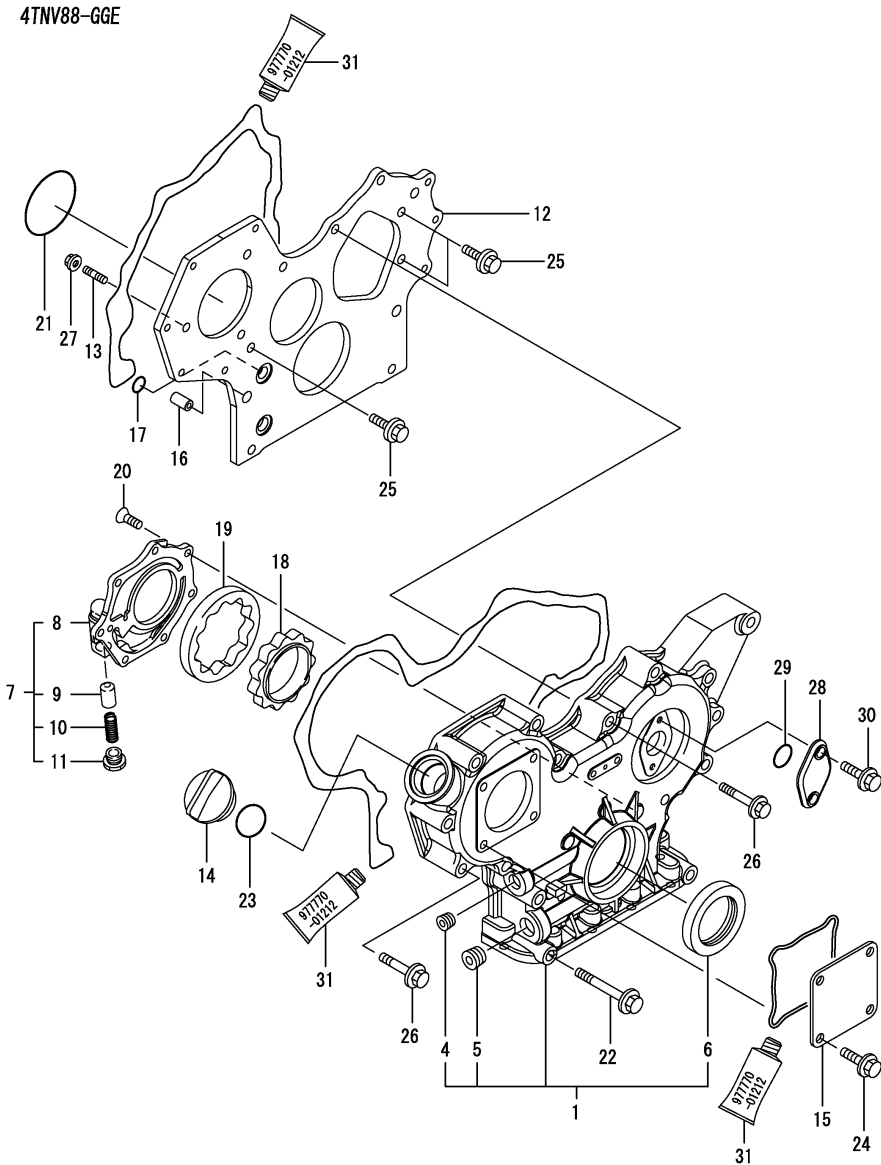
(A)=4TNV88-DSA (D)=4TNV88-GGE
 (B)=4TNV88-DSA2 (E)=
 (C)=4TNV88-DSA3 (F)=

REF.	LEV.	PARTS NO.	DESCRIPTION	QTY						I	R
				(A)	(B)	(C)	(D)	(E)	(F)		
1	1	729005-01500	GEAR CASE ASSY	1	1	1					
4	2	23876-030000	PLUG PT3/8,SCREW	1	1	1					
5	2	23876-040000	PLUG PT 1/2	1	1	1					
6	2	129795-01800	SEAL, OIL	1	1	1					
7	1	119802-32100	COVER ASSY, PUMP	1	1	1					
8	2	119802-32070	COVER, LUB.OIL PUMP	1	1	1					
9	2	129900-32130	VALVE, RELIEF	1	1	1					
10	2	129418-32320	SPRING	1	1	1					
11	2	129001-32330	PLUG	1	1	1					
12	1	129005-01520	FLANGE, GEAR CASE	1	1	1					
13	1	119802-01560	STUD, M8X25	3	3	3					
14	1	124160-01751	COVER,FILLER	1	1	1					
15	1	124240-01871	COVER, HO-P	1	1	1					
16	1	129795-01950	PIPE, KNOCK L=18	2	2	2					
17	1	119609-32040	O-RING P16	4	4	4					
18	1	119802-32111	ROTOR, INNER	1	1	1					
19	1	119802-32120	ROTOR, OUTER	1	1	1					
20	1	119802-32130	SCREW, M6X16	7	7	7					
21	1	121850-51960	O-RING, F.I.PUMP	1	1	1					
22	1	129001-91841	BOLT, M8X85	3	3	3					
23	1	24311-000320	O-RING 1A P-32.0	1	1	1					
24	1	26106-080162	BOLT M 8X 16 PLATED	4	4	4					
25	1	26106-080162	BOLT M 8X 16 PLATED	3	3	3					
26	1	26106-080552	BOLT M 8X 55 PLATED	11	11	11					
27	1	26306-080002	NUT	3	3	3					
28	1	121023-01550	COVER, BLIND	1	1	1					
29	1	24341-000240	O-RING 1A S-24.0	1	1	1					
30	1	26106-060162	BOLT M 6X 16 PLATED	2	2	2					
31	1	977770-01212	GASKET, LIQUID	1	1	1					1
32	1	124240-01871	COVER, HO-P	1	1	1					
33	1	124240-01883	GASKET, (NON-ASB.)	1	1	1					
34	1	26106-080162	BOLT M 8X 16 PLATED	4	4	4					

Remarks
 (1) OPTIONAL PART.

Fig.3. GEAR HOUSING

(A)=4TNV88-DSA (D)=4TNV88-GGE
 (B)=4TNV88-DSA2 (E)=
 (C)=4TNV88-DSA3 (F)=

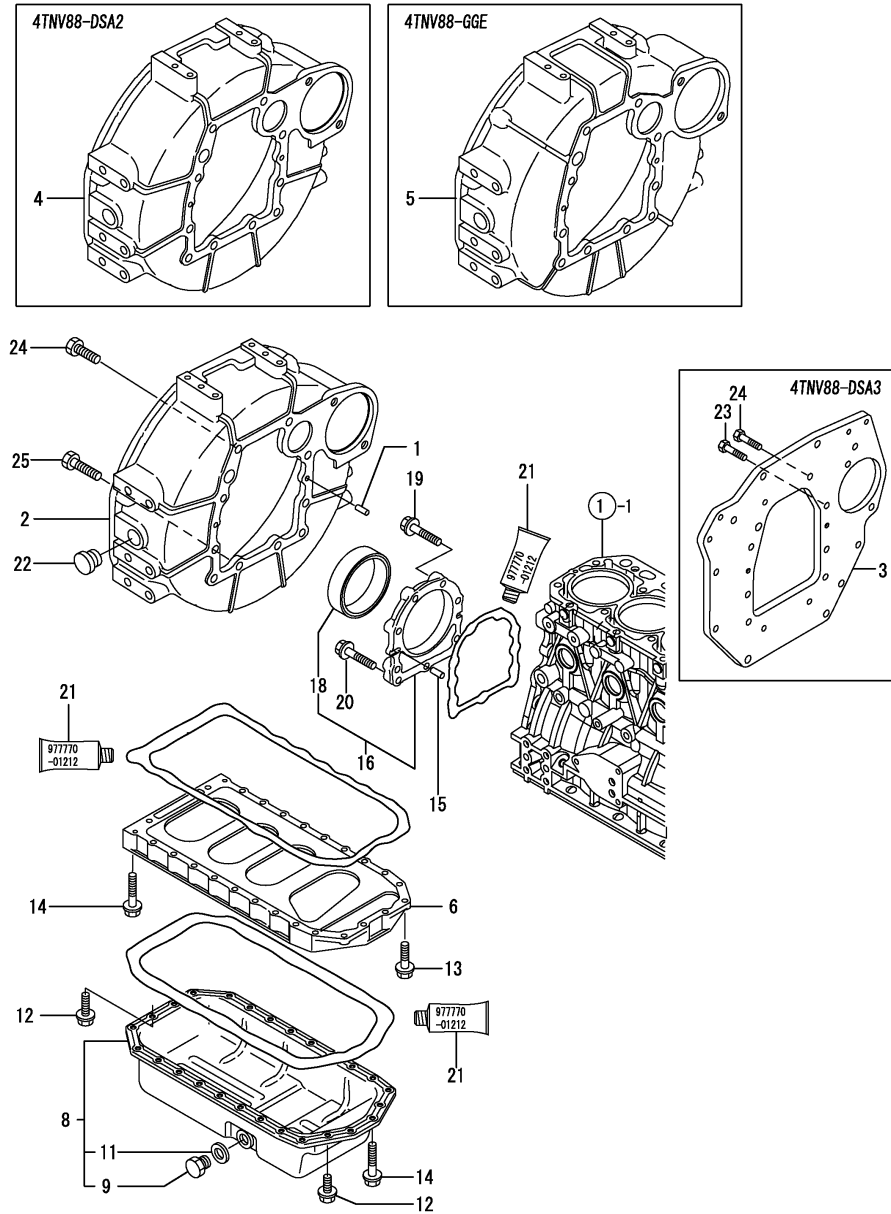


REF.	LEV.	PARTS NO.	DESCRIPTION	QTY						I	R	
				(A)	(B)	(C)	(D)	(E)	(F)			
1	1	719802-01500	HOUSING ASSY, GEAR				1					
4	2	23876-030000	PLUG PT3/8,SCREW				1					
5	2	23876-040000	PLUG PT 1/2				1					
6	2	129795-01800	SEAL, OIL				1					
7	1	119802-32100	COVER ASSY, PUMP				1					
8	2	119802-32070	COVER, LUB.OIL PUMP				1					
9	2	129900-32130	VALVE, RELIEF				1					
10	2	129418-32320	SPRING				1					
11	2	129001-32330	PLUG				1					
12	1	119802-01520	FRANGE, GEAR CASE				1					
13	1	119802-01560	STUD, M8X25				3					
14	1	124160-01751	COVER,FILLER				1					
15	1	124240-01871	COVER, HO-P				1					
16	1	129795-01950	PIPE, KNOCK L=18				2					
17	1	119609-32040	O-RING P16				4					
18	1	119802-32111	ROTOR, INNER				1					
19	1	119802-32120	ROTOR, OUTER				1					
20	1	119802-32130	SCREW, M6X16				7					
21	1	121850-51960	O-RING, F.I.PUMP				1					
22	1	129001-91841	BOLT, M8X85				3					
23	1	24311-000320	O-RING 1A P-32.0				1					
24	1	26106-080162	BOLT M 8X 16 PLATED				4					
25	1	26106-080162	BOLT M 8X 16 PLATED				3					
26	1	26106-080552	BOLT M 8X 55 PLATED				12					
27	1	26306-080002	NUT				3					
28	1	121023-01550	COVER, BLIND				1					
29	1	24341-000240	O-RING 1A S-24.0				1					
30	1	26106-060162	BOLT M 6X 16 PLATED				2					
31	1	977770-01212	GASKET, LIQUID				1					1

Remarks
 (1) OPTIONAL PART.

(A)=4TNV88-DSA (D)=4TNV88-GGE
 (B)=4TNV88-DSA2 (E)=
 (C)=4TNV88-DSA3 (F)=

Fig.4. FLYWHEEL HOUSING & OIL SUMP

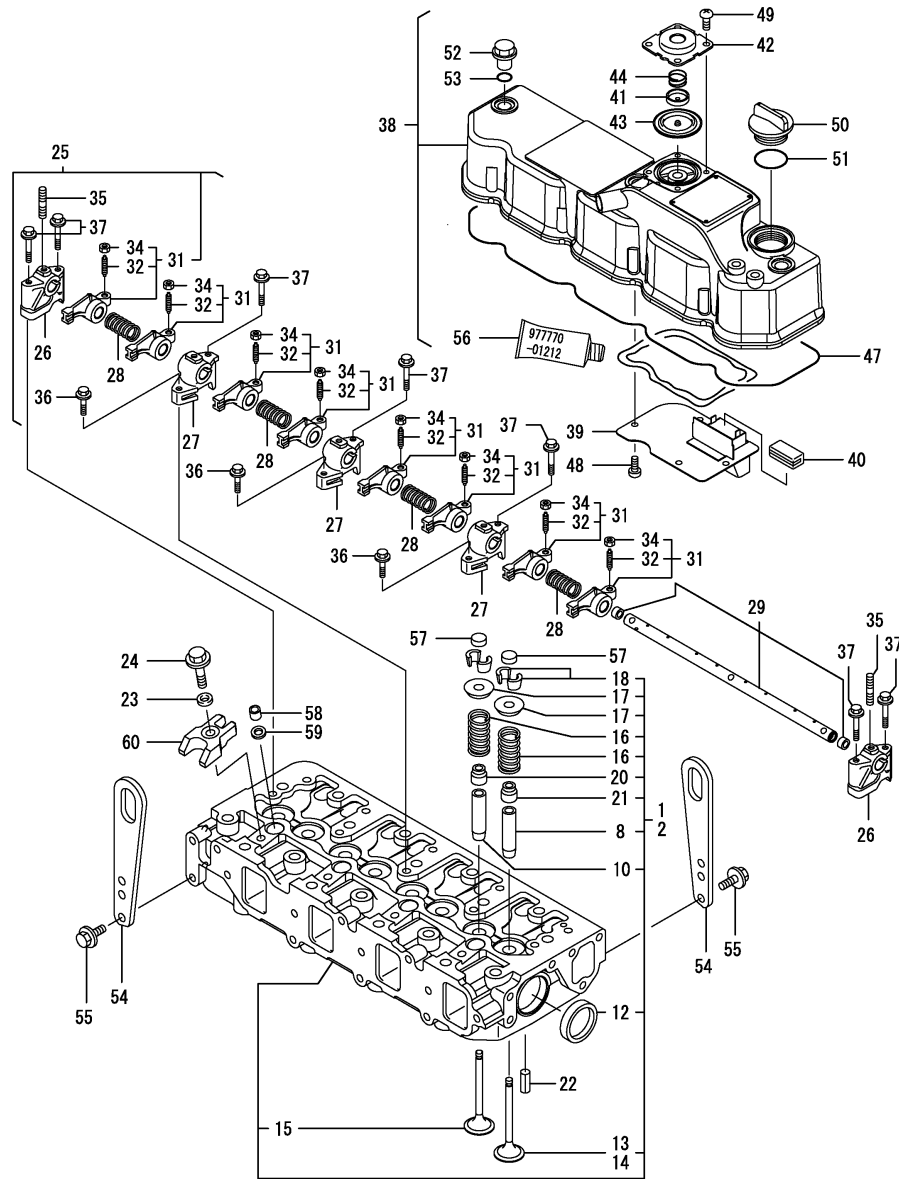


REF.	LEV.	PARTS NO.	DESCRIPTION	QTY						I	R
				(A)	(B)	(C)	(D)	(E)	(F)		
1	1	129100-01580	PARALLEL PIN 8X16	2	2	2	2				
2	1	119888-01600	HOUSING, FLYWHEEL	1							
3	1	129129-01600	FLANGE, MOUNTING			1					
4	1	129612-01600	HOUSING, FLYWHEEL		1						
5	1	171420-01600	HOUSING, FLYWHEEL					1			
6	1	129400-01730	SPACER, OIL SUMP	1	1	1	1				
8	1	129400-01770	SUMP ASSY, LUB. OIL	1	1	1	1				
9	2	119640-01640	DRAIN PLUG M22	1	1	1	1				
11	2	22190-220002	SEAL WASHER 22S	1	1	1	1				
12	1	26106-080162	BOLT M 8X 16 PLATED	4	4	4	4				
13	1	26106-080252	BOLT M 8X 25 PLATED	2	2	2	2				
14	1	26106-080452	BOLT M 8X 45 PLATED	24	24	24	24				
15	1	129100-01580	PARALLEL PIN 8X16	2	2	2	2				
16	1	129100-01640	CASE ASSY, OIL SEAL	1	1	1	1				
18	2	129795-01780	SEAL, OIL	1	1	1	1				
19	1	129486-01670	BOLT M8X30, COLLAR HD	6	6	6	6				
20	1	26106-080352	BOLT M 8X 35 PLATED	3	3	3	3				
21	1	977770-01212	GASKET, LIQUID	1	1	1	1				1
22	1	119620-01750	CAP, FLYWHEEL COVER	1	1		1				
23	1	26206-100202	BOLT M10X20			6					
24	1	26206-100252	BOLT M10X25	6	6	2	6				
25	1	26206-100302	BOLT M10X30	4	4		4				

Remarks
 (1) OPTIONAL PART.

Fig.5. CYLINDER HEAD & BONNET

(A)=4TNV88-DSA (D)=4TNV88-GGE
 (B)=4TNV88-DSA2 (E)=
 (C)=4TNV88-DSA3 (F)=



REF.	LEV.	PARTS NO.	DESCRIPTION	QTY						I	R
				(A)	(B)	(C)	(D)	(E)	(F)		
1	1	129602-11700	HED ASSY, CYLINDER	1	1	1					
2	1	129601-11700	HED ASSY, CYLINDER				1				
8	2	120130-11860	GUIDE, VALVE	4	4	4	4				1
10	2	129150-11810	GUIDE, VALVE	4	4	4	4				1
12	2	27241-400000	PLUG 40	2	2	2	2				
13	2	129005-11100	VALVE, INTAKE	4	4	4					
14	2	129004-11100	VALVE, INTAKE					4			
15	2	129100-11110	VALVE, EXHAUST	4	4	4	4				
16	2	129795-11120	SPRING, VALVE	8	8	8	8				
17	2	129795-11180	RETAINER, SPRING	8	8	8	8				
18	2	27310-080001	COTTER 8	8	8	8	8				
20	2	121400-11340	SEAL, VALVE STEM	4	4	4	4				
21	2	124460-11340	SEAL, VALVE STEM	4	4	4	4				
22	1	22351-060012	SPRING PIN 6X12	2	2	2	2				
23	1	120270-54410	WASHER	4	4	4	4				
24	1	26106-080352	BOLT M 8X 35 PLATED	4	4	4	4				
25	1	129601-11241	SHAFT ASSY, ROCKER	1	1	1	1				
26	2	119802-11260	SUPPORT, ROCKER ARM	2	2	2	2				
27	2	119802-11270	SUPPORT, ROCKER ARM	3	3	3	3				
28	2	129150-11280	SPRING	4	4	4	4				
29	2	129601-11251	SHAFT	1	1	1	1				
31	2	129004-11650	ARM ASSY, ROCKER	8	8	8	8				
32	3	129150-11230	SCREW, VALVE	8	8	8	8				
34	3	129150-11750	NUT M8XP1.0	8	8	8	8				
35	2	26226-080182	STUD M 8X 18 PLATED	3	3	3	3				
36	1	26106-080252	BOLT M 8X 25 PLATED	3	3	3	3				
37	1	26106-080502	BOLT M 8X 50 PLATED	7	7	7	7				
38	1	129601-11350	BONNET ASSY	1	1	1	1				
39	2	129004-03010	PLATE, BAFFLE	1	1	1	1				
40	2	129150-03070	BAFFLE, BREATHER	1	1	1	1				
41	2	119802-03110	PLATE, DIAPHRAGM	1	1	1	1				
42	2	119802-03121	COVER, DIAPHRAGM	1	1	1	1				
43	2	119802-03130	DIAPHRAGM	1	1	1	1				
44	2	119802-03141	SPRING, DIAPHRAGM	1	1	1	1				
47	2	129601-11310	GASKET, COVER	1	1	1	1				
48	2	22857-500100	SCREW 5X10, TAPPING	4	4	4	4				
49	2	22857-500100	SCREW 5X10, TAPPING	4	4	4	4				
50	1	124160-01751	COVER, FILLER	1	1	1	1				
51	1	24311-000320	O-RING 1A P-32.0	1	1	1	1				
52	1	124160-11360	KNOB	3	3	3	3				
53	1	24311-000120	O-RING 1A P 12.0	3	3	3	3				
54	1	129900-07900	LIFTER, ENGINE	2	2	2	2				
55	1	26106-080142	BOLT M 8X 14 PLATED	4	4	4	4				
56	1	977770-01212	GASKET, LIQUID	1	1	1	1				2
57	1	129150-11370	CAP, VALVE	8	8	8	8				
58	1	119802-11870	PROTECTOR, NOZZLE	4	4	4	4				
59	1	119625-11880	SEAT, NOZZLE	4	4	4	4				
60	1	129004-11900	RETAINER, NOZZLE	4	4	4	4				

Remarks
 (1) REPAIR PART.
 (2) OPTIONAL PART.

Fig.6. SUCTION MANIFOLD

Y00R5660 6. SUCTION MANIFOLD

(A)=4TNV88-DSA (D)=4TNV88-GGE
 (B)=4TNV88-DSA2 (E)=
 (C)=4TNV88-DSA3 (F)=

REF.	LEV.	PARTS NO.	DESCRIPTION	QTY						I	R
				(A)	(B)	(C)	(D)	(E)	(F)		
1	1	129601-03080	PIPE,BREATHER	1	1	1	1				
2	2	129410-03990	CLAMP 24	2	2	2	2				
3	1	129601-12100	MANIFOLD,INT	1	1	1	1				
5	1	129407-12110	GASKET,INT.MANOFOLD	1	1	1	1				
6	1	26106-080202	BOLT M 8X 20 PLATED	6	6	6	6				
7	1	26106-080802	BOLT M 8X 80 PLATED	1	1	1	1				
8	1	129120-77501	HEATER, AIR	1	1	1	1				
9	1	129150-77511	GASKET, (NON-ASB.)	1	1	1	1				
10	1	26106-080352	BOLT M 8X 35 PLATED	4	4	4	4				

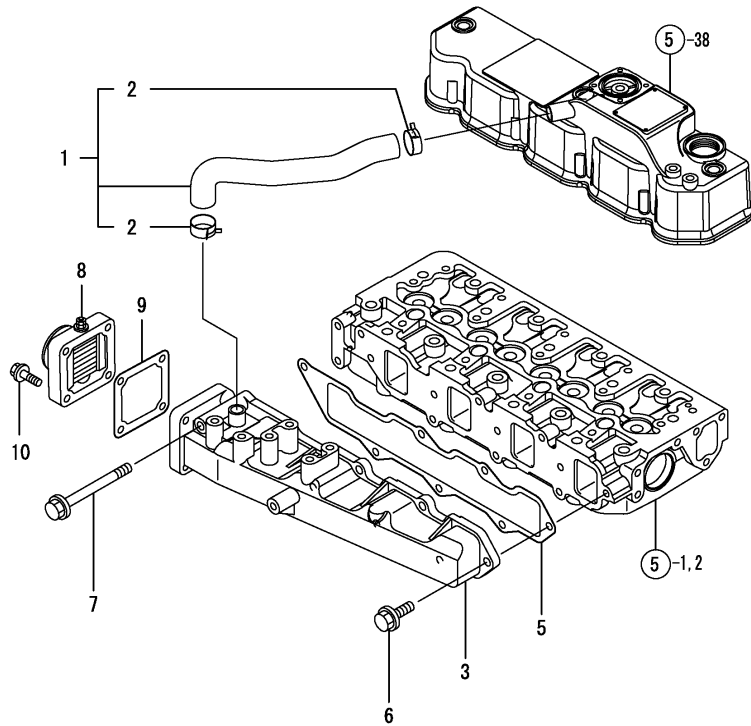


Fig.7. EXHAUST MANIFOLD

Y00R5660 7. EXHAUST MANIFOLD

(A)=4TNV88-DSA (D)=4TNV88-GGE
 (B)=4TNV88-DSA2 (E)=
 (C)=4TNV88-DSA3 (F)=

REF.	LEV.	PARTS NO.	DESCRIPTION	QTY						I	R
				(A)	(B)	(C)	(D)	(E)	(F)		
1	1	129601-13109	MANIFOLD, EXHAUST	1	1	1	1				
2	1	129550-13110	GASKET, EXH.MANIFOLD	1	1	1	1				
3	1	123900-13610	STUD BOLT M 8X 80	2	2	2	2				
4	1	123900-13630	BOLT 8X80	6	6	6	6				
5	1	119131-18320	BOLT M 8X 22	4	4	4	4				
6	1	26306-080002	NUT	2	2	2	2				
7	1	129930-13200	GASKET, SILENCER	1	1	1	1				

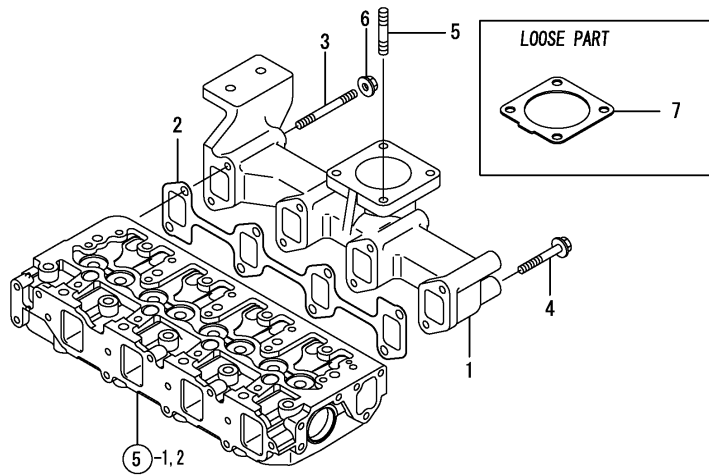
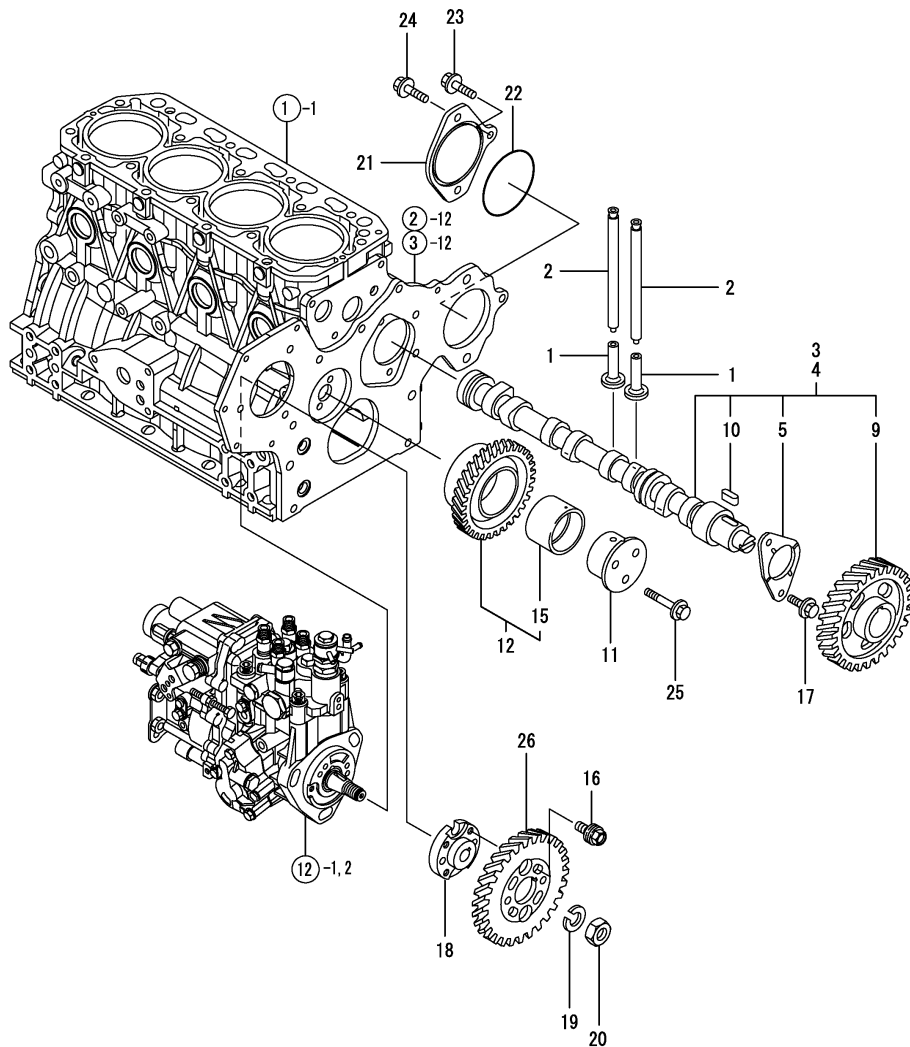


Fig.8. CAMSHAFT & DRIVING GEAR

(A)=4TNV88-DSA (D)=4TNV88-GGE
 (B)=4TNV88-DSA2 (E)=
 (C)=4TNV88-DSA3 (F)=

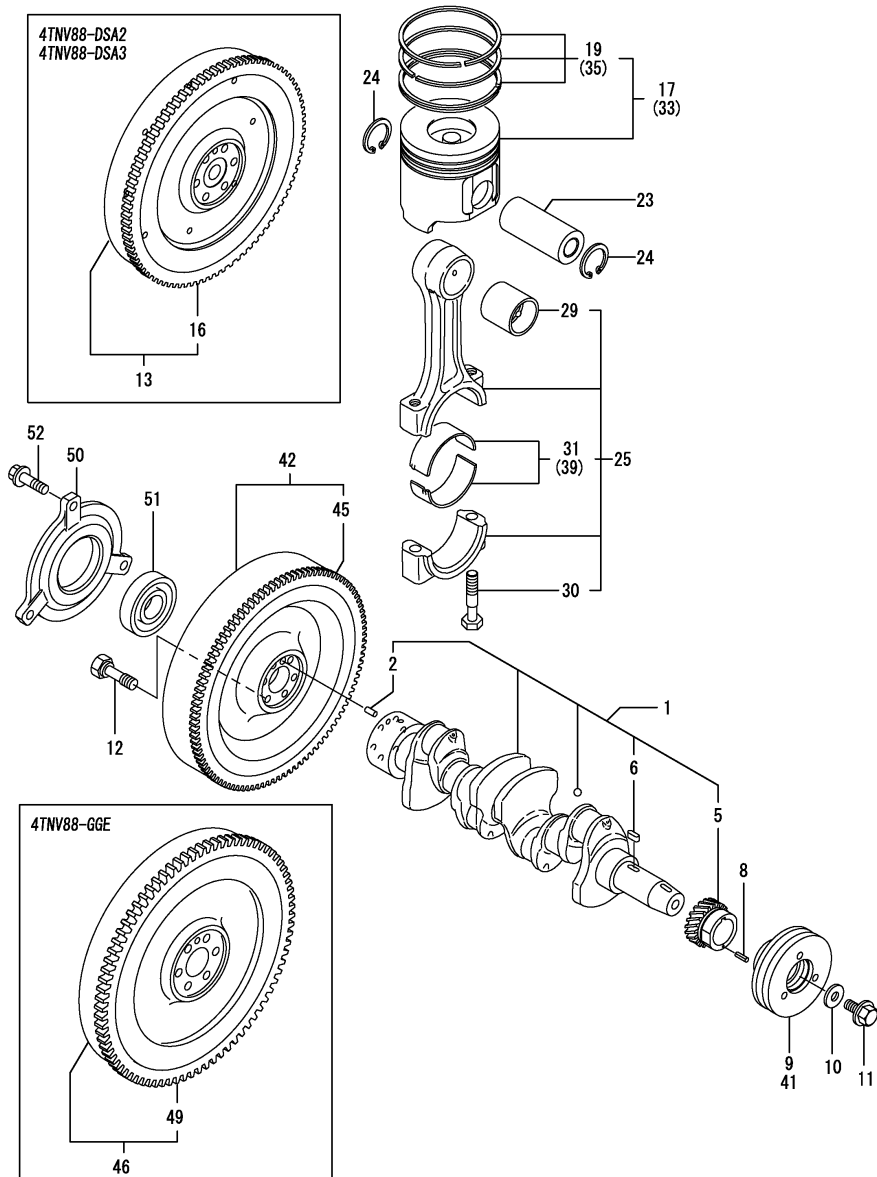


REF.	LEV.	PARTS NO.	DESCRIPTION	QTY						I	R
				(A)	(B)	(C)	(D)	(E)	(F)		
1	1	129150-14200	TAPPET	8	8	8	8				
2	1	129150-14400	ROD, PUSH	8	8	8	8				
3	1	729402-14580	CAMSHAFT ASSY	1	1	1					
4	1	729601-14580	CAMSHAFT ASSY							1	
5	2	129150-02450	METAL, THRUST(CAM	1	1	1	1				
9	2	129150-14101	GEAR, CAMSHAFT	1	1	1	1				
10	2	22512-070140	KEY 7X 14	1	1	1	1				
11	1	119802-25051	SHAFT, IDLE GEAR	1	1	1	1				
12	1	119802-25100	GEAR ASSY, IDLE	1	1	1	1				
15	2	119802-25070	BUSH, IDLE GEAR	1	1	1	1				1
16	1	129150-25301	BOLT, FI-P	4	4	4	4				
17	1	26106-080142	BOLT M 8X 14 PLATED	2	2	2	2				
18	1	158552-51151	FLANGE	1	1	1	1				
19	1	22217-140000	SPRING WASHER 14	1	1	1	1				
20	1	26776-140002	LOCK NUT M14 PLATED	1	1	1	1				
21	1	129430-26070	COVER	1	1	1					
22	1	24321-000800	O-RING 1A G-80.0	1	1	1					
23	1	26106-080252	BOLT M 8X 25 PLATED	1	1	1					
24	1	26106-100302	BOLT M10X 30 PLATED	2	2	2					
25	1	26106-080402	BOLT M 8X 40 PLATED	3	3	3	3				
26	1	119802-25901	GEAR, PUMP	1	1	1	1				

Remarks
 (1) REPAIR PART.

Fig.9. CRANKSHAFT & PISTON

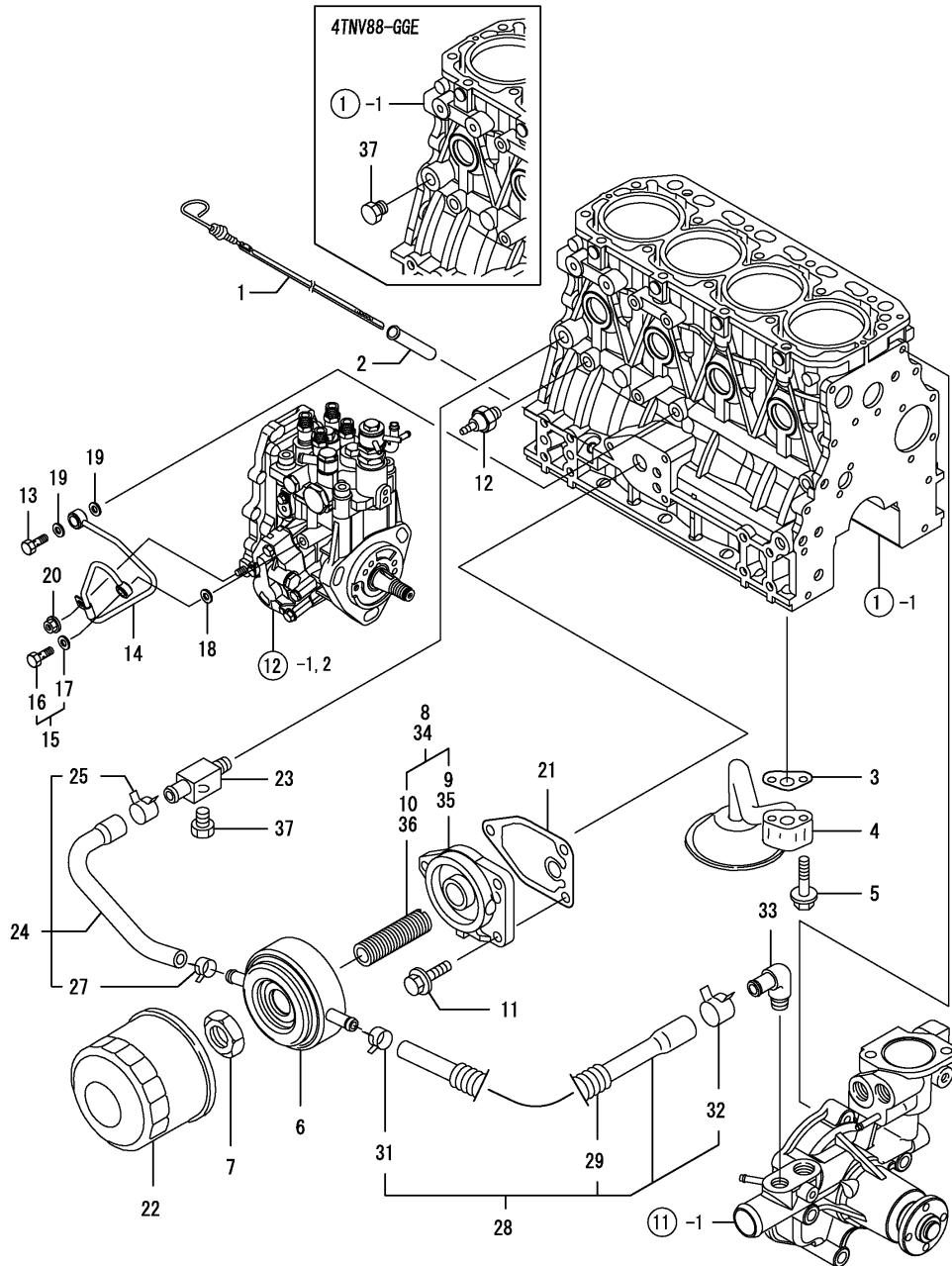
(A)=4TNV88-DSA (D)=4TNV88-GGE
 (B)=4TNV88-DSA2 (E)=
 (C)=4TNV88-DSA3 (F)=



REF.	LEV.	PARTS NO.	DESCRIPTION	QTY						I	R
				(A)	(B)	(C)	(D)	(E)	(F)		
1	1	129601-21002	CRANKSHAFT ASSY	1	1	1	1				
2	2	129100-01580	PARALLEL PIN 8X16	1	1	1	1				
5	2	119802-21202	GEAR, CRANKSHAFT	1	1	1	1				
6	2	22512-070140	KEY 7X 14	1	1	1	1				
8	1	22351-030010	SPRING PIN 3X10	1	1	1	1				
9	1	119802-21650	V-PULLEY, CRANKSHAFT	1	1	1					
10	1	129795-21661	WASHER	1	1	1	1				
11	1	121850-21680	BOLT, V-PULLEY	1	1	1	1				
12	1	121111-21501	BOLT, FLYWHEEL	6	6	6	6				
13	1	171420-21580	FLYWHEEL ASSY		1	1					
16	2	119865-21600	GEAR, RING		1	1					
17	1	129005-22080	PISTON ASSY	4	4	4	4				
19	2	129005-22500	RING SET, PISTON	4	4	4	4				
23	1	129202-22300	PIN, PISTON(D26,L70)	4	4	4	4				
24	1	22252-000260	CIRCLIP 26	8	8	8	8				
25	1	729402-23100	ROD ASSY, CONNECTING	4	4	4	4				
29	2	129100-23910	BUSH, PISTON PIN	4	4	4	4				1
30	2	121550-23200	BOLT, CONNECTING ROD	8	8	8	8				
31	2	129150-23600	BEARING, CRANKPIN	4	4	4	4				
33	1	129005-22900	PISTON W/RING OS=.25	4	4	4	4				2
35	2	129005-22950	RING SET O.S=0.25	4	4	4	4				2
39	1	129150-23610	METAL.PIN US=0.25	4	4	4	4				3
41	1	119802-21660	V-PULLEY, CRANKSHAFT				1				
42	1	129488-21590	FLYWHEEL ASSY	1							
45	2	119865-21600	GEAR, RING	1							
46	1	171420-21590	FLYWHEEL ASSY				1				
49	2	124550-21600	RING GEAR				1				
50	1	119888-21450	RETAINER, BEARING	1							
51	1	24107-062054	BALL BEARING	1							
52	1	26106-080222	BOLT M 8X 22 PLATED	3							

Remarks
 (1) REPAIR PART.
 (2) OVER-SIZE(O.S=0.25)PART.
 (3) UNDER-SIZE(U.S=0.25)PART.

Fig.10. LUB.OIL SYSTEM

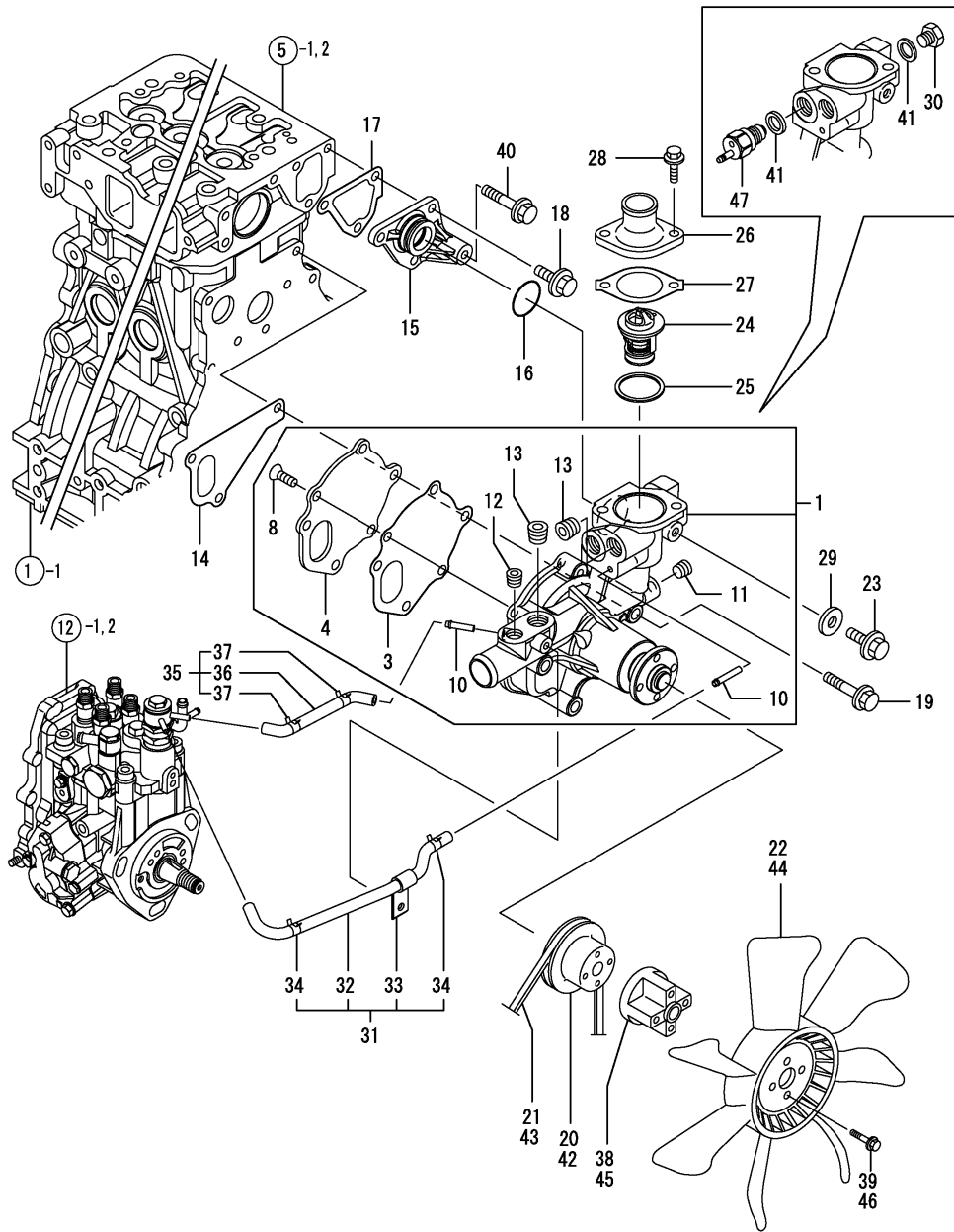


(A)=4TNV88-DSA (D)=4TNV88-GGE
 (B)=4TNV88-DSA2 (E)=
 (C)=4TNV88-DSA3 (F)=

REF.	LEV.	PARTS NO.	DESCRIPTION	QTY						I	R
				(A)	(B)	(C)	(D)	(E)	(F)		
1	1	129004-34801	DIPSTICK, LUB.OIL	1	1	1	1				
2	1	121520-34810	GUIDE, DIPSTICK	1	1	1	1				
3	1	129150-35041	GASKET, (NON-ASB.)	1	1	1	1				
4	1	129436-35091	PIPE ASSY, LUB. OIL	1	1	1	1				
5	1	26106-080352	BOLT M 8X 35 PLATED	2	2	2	2				
6	1	129508-33010	COOLER ASSY, OIL	1	1	1					
7	1	129417-33110	NUT OIL COOLER	1	1	1					
8	1	129006-35100	BRACKET ASSY, FILTER	1	1	1					
9	2	119802-35110	BRACKET, FILTER	1	1	1					
10	2	129417-35150	STUD	1	1	1					
11	1	26106-080202	BOLT M 8X 20 PLATED	3	3	3	3				
12	1	114250-39450	SWITCH,(0.5KG)L.O.	1	1	1	1				
13	1	124160-39140	BOLT 10, PIPE JOINT	1	1	1	1				
14	1	119802-39450	PIPE ASSY, LUB. OIL	1	1	1	1				
15	1	129005-59830	BOLT ASSY, JOINT	1	1	1	1				
16	2	23857-030000	JOINT BOLT 3	1	1	1	1				
17	2	22190-080002	SEAL WASHER 8S	1	1	1	1				
18	1	22190-080002	SEAL WASHER 8S	1	1	1	1				
19	1	22190-100002	SEAL WASHER 10S	2	2	2	2				
20	1	26366-060002	NUT M 6	1	1	1	1				
21	1	129150-35111	GASKET, (NON-ASB.)	1	1	1	1				
22	1	129150-35152	FILTER 80X80L	1	1	1	1				
23	1	129006-44480	JOINT	1	1	1					
24	1	129508-49030	PIPE,COOLER IN	1	1	1					
25	2	171008-03990	CLAMP 18.5	1	1	1					
27	2	23080-015000	CLAMP	1	1	1					
28	1	129508-49040	PIPE,COOLER OUT	1	1	1					
29	2	119940-59130	PROTECTOR, PIPE 19	1	1	1					
31	2	23080-015000	CLAMP	1	1	1					
32	2	23080-018000	CLAMP 18	1	1	1					
33	1	129103-49301	ELBOW PT 1/4	1	1	1					
34	1	119802-35100	BRACKET ASSY, FILTER								1
35	2	119802-35110	BRACKET, FILTER								1
36	2	129100-35140	STUD								1
37	1	171056-49120	PLUG, DRAIN	1	1	1	1				

Fig.11. COOLING WATER SYSTEM

(A)=4TNV88-DSA (D)=4TNV88-GGE
 (B)=4TNV88-DSA2 (E)=
 (C)=4TNV88-DSA3 (F)=



REF.	LEV.	PARTS NO.	DESCRIPTION	QTY						I	R
				(A)	(B)	(C)	(D)	(E)	(F)		
1	1	129004-42001	PUMP ASSY, WATER	1	1	1	1				
3	2	129100-42051	GASKET, (NON-ASB.)	1	1	1	1				
4	2	129100-42121	PLATE	1	1	1	1				
8	2	121850-42410	SCREW	3	3	3	3				
10	2	119802-49113	JOINT	2	2	2	2				
11	2	23876-010000	PLUG PT1/8,SCREW	1	1	1	1				
12	2	23876-020000	PLUG PT1/4,SCREW	1	1	1	1				
13	2	129916-49740	PLUG, DRAIN R03	2	2	2	2				
14	1	129486-42021	GASKET	1	1	1	1				
15	1	129004-42040	JOINT	1	1	1	1				
16	1	129486-42140	O-RING,CW-P	1	1	1	1				
17	1	124395-49840	GASKET, THERMO. CASE	1	1	1	1				
18	1	26106-080162	BOLT M 8X 16 PLATED	3	3	3	3				
19	1	26106-080602	BOLT M 8X 60 PLATED	3	3	3	3				
20	1	129403-42380	V-PULLEY(D=110)	1	1	1					
21	1	119865-42290	V-BELT (A:36.5)	1	1	1					
22	1	129655-44740	FAN, COOLING	1	1	1					
23	1	26106-080122	BOLT M 8X 12 PLATED	1	1	1	1				
24	1	129155-49801	THERMOSTAT (71)	1	1	1	1				
25	1	129150-49811	GASKET, (NON-ASB.)	1	1	1	1				
26	1	129350-49530	COVER, THERMOSTAT	1	1	1	1				
27	1	129795-49551	GASKET, (NON-ASB.)	1	1	1	1				
28	1	26106-080222	BOLT M 8X 22 PLATED	2	2	2	2				
29	1	23414-080000	GASKET 8, ROUND	1	1	1	1				
30	1	121450-42450	PLUG M16	1	1	1	1				
31	1	129004-49610	PIPE ASSY, A MP2	1	1	1	1				
32	2	129004-49711	PIPE ASSY, A MP2	1	1	1	1				
33	2	119802-49730	CLAMP,CW-T	1	1	1	1				
34	2	124722-59050	CLAMP 9	2	2	2	2				
35	1	129004-49620	PIPE ASSY, B MP2	1	1	1	1				
36	2	129004-49721	PIPE, WATER B MP2	1	1	1	1				
37	2	124722-59050	CLAMP 9	2	2	2	2				
38	1	171353-44760	SPACER	1	1	1					
39	1	26106-060402	BOLT M 6X 40 PLATED	4	4	4					
40	1	26106-080452	BOLT M 8X 45 PLATED	1	1	1	1				
41	1	124465-44950	GASKET 16	2	2	2	2				
42	1	129155-42350	V-PULLEY, C.W. PUMP								1
43	1	119831-42290	V-BELT A37.5								1
44	1	129612-44700	FAN, COOLING								1
45	1	121267-44760	SPACER								1
46	1	26106-060302	BOLT M 6X 30 PLATED								4
47	1	121250-44901	SWITCH, THERMO(110 C	1	1	1	1				1

Fig.12. FUEL INJECTION PUMP

(A)=4TNV88-DSA (D)=4TNV88-GGE
 (B)=4TNV88-DSA2 (E)=
 (C)=4TNV88-DSA3 (F)=

REF.	LEV.	PARTS NO.	DESCRIPTION	QTY						I	R
				(A)	(B)	(C)	(D)	(E)	(F)		
1	1	729602-51310	FUEL INJECTION ASSY	1	1	1					
2	1	729647-51390	INJECTION PUMP ASSY				1				
3	1	26106-080162	BOLT M 8X 16 PLATED	1	1	1	1				
4	1	26106-080202	BOLT M 8X 20 PLATED	1	1	1	1				
5	1	129601-51250	SUPPORT,FIP	1	1	1	1				

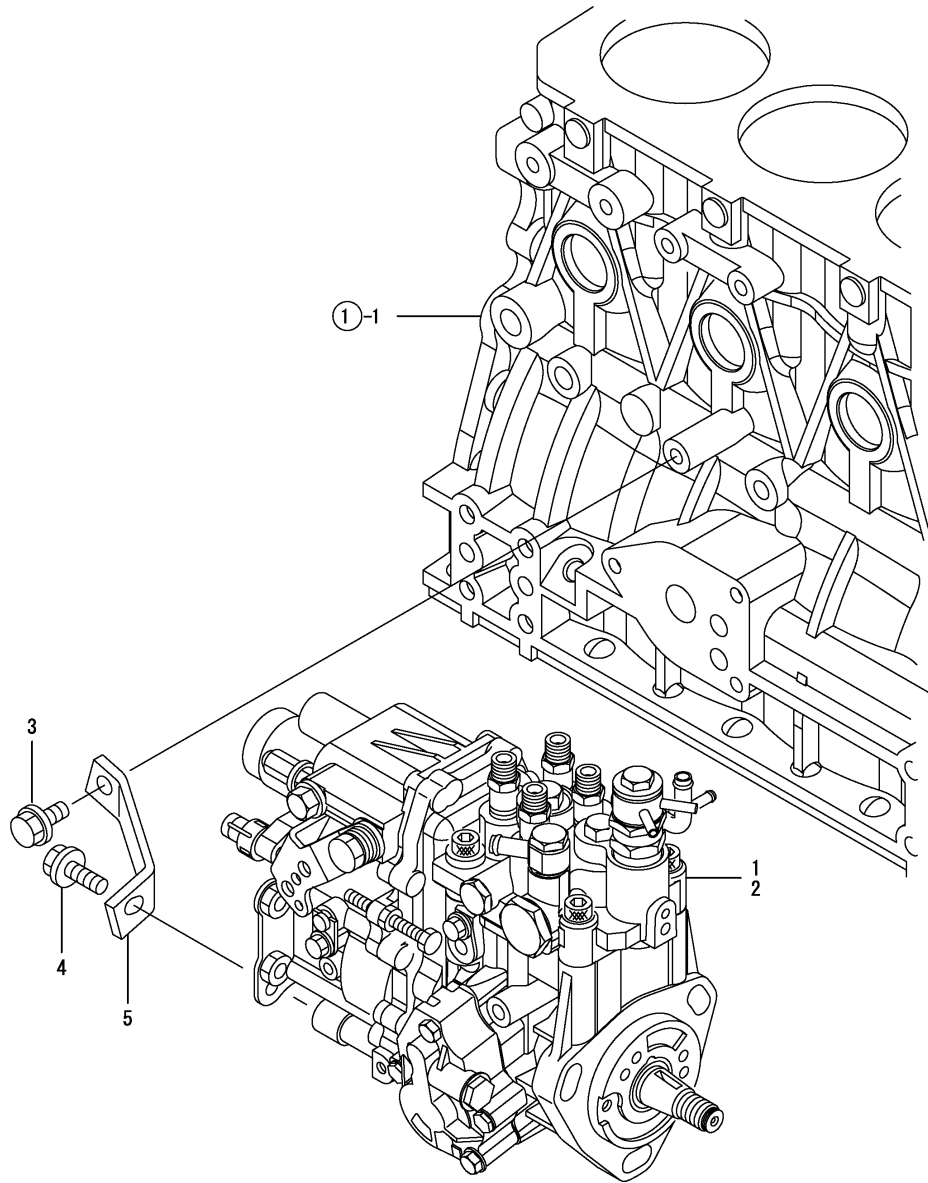
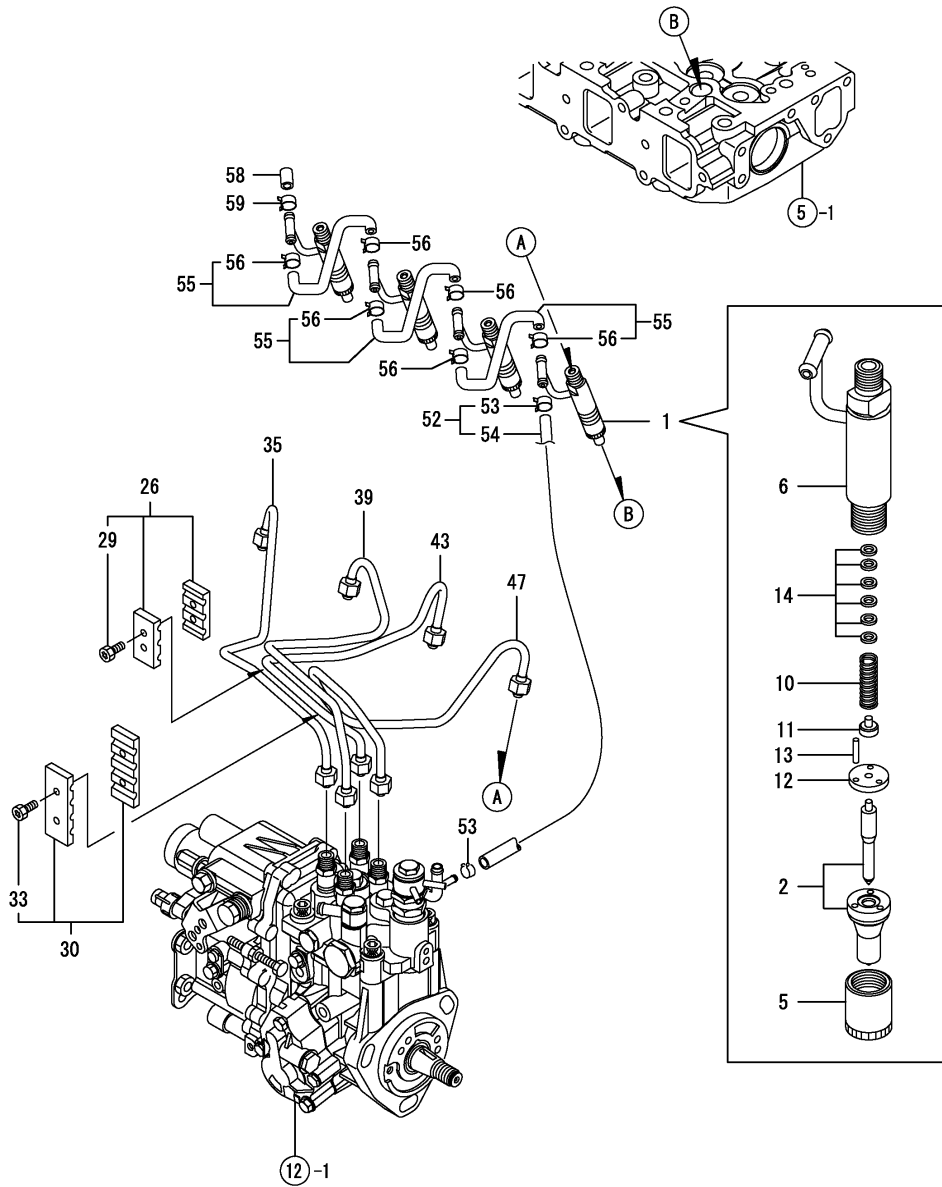


Fig.13. FUEL INJECTION VALVE



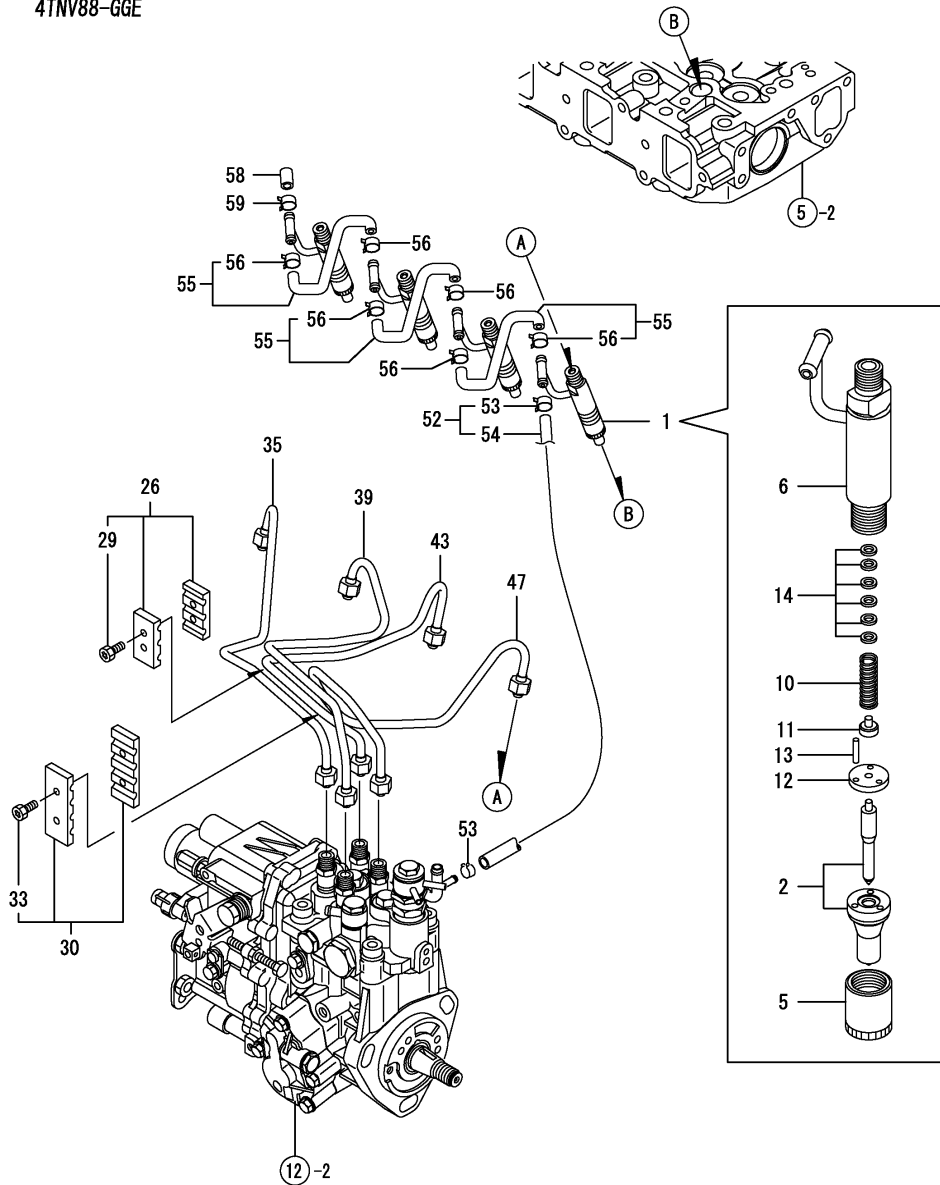
(A)=4TNV88-DSA (D)=4TNV88-GGE
 (B)=4TNV88-DSA2 (E)=
 (C)=4TNV88-DSA3 (F)=

REF.	LEV.	PARTS NO.	DESCRIPTION	QTY						I	R
				(A)	(B)	(C)	(D)	(E)	(F)		
1	1	729602-53101	VALVE ASSY, F.INJECT	4	4	4					
2	2	129602-53001	NOZZLE ASSY	4	4	4					
5	2	114250-53080	NUT, NOZZLE CASE	4	4	4					
6	2	119802-53100	HOLDER ASSY, NOZZLE	4	4	4					
10	2	114250-53120	SPRING, NOZZLE	4	4	4					
11	2	114250-53130	SEAT, NOZZLE SPRING	4	4	4					
12	2	114250-53140	PLATE, STOP	4	4	4					
13	2	114250-53210	PIN	8	8	8					
14	2	114250-53400	SHIM PACK	4	4	4					
26	1	129150-59120	RETAINER, INJ. PIPE	1	1	1					
29	2	129150-59131	BOLT M4X14,HEX.SCKT.	2	2	2					
30	1	129550-59120	RETAINER	1	1	1					
33	2	129150-59131	BOLT M4X14,HEX.SCKT.	2	2	2					
35	1	129601-59810	PIPE ASSY, INJECTION	1	1	1					
39	1	129601-59820	PIPE ASSY, INJECTION	1	1	1					
43	1	129601-59830	PIPE ASSY, INJECTION	1	1	1					
47	1	129601-59840	PIPE ASSY, INJECTION	1	1	1					
52	1	119802-59550	PIPE ASSY, RETURN	1	1	1					
53	2	124722-59050	CLAMP 9	2	2	2					
54	2	119802-59560	PIPE, FUEL RETURN	1	1	1					
55	1	129486-59551	PIPE, FUEL RETURN	3	3	3					
56	2	124722-59050	CLAMP 9	6	6	6					
58	1	119593-59580	CAP	1	1	1					
59	1	124060-77680	CLAMP 10	1	1	1					

(A)=4TNV88-DSA (D)=4TNV88-GGE
 (B)=4TNV88-DSA2 (E)=
 (C)=4TNV88-DSA3 (F)=

Fig.14. FUEL INJECTION VALVE

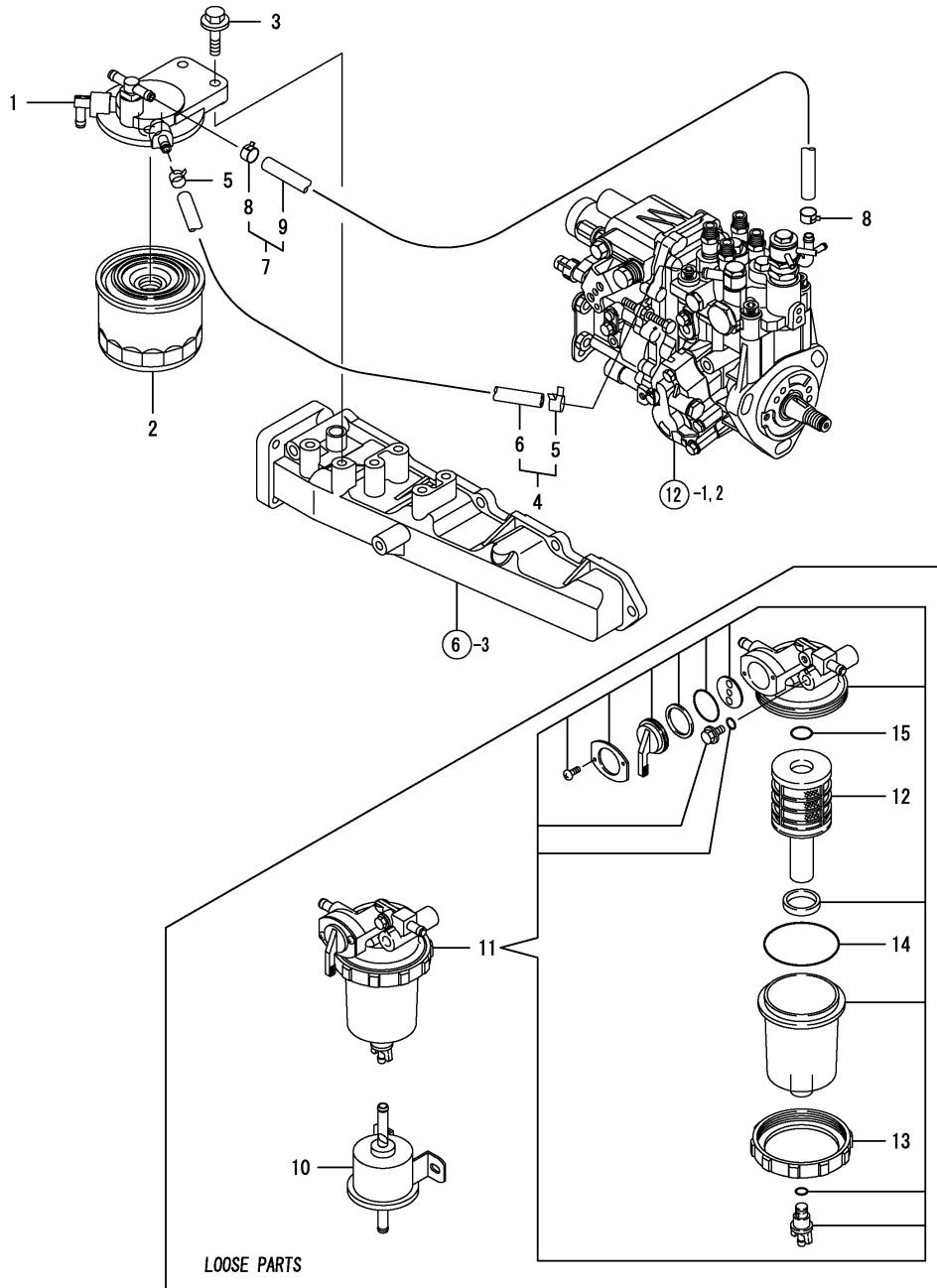
4TNV88-GGE



REF.	LEV.	PARTS NO.	DESCRIPTION	QTY						I	R	
				(A)	(B)	(C)	(D)	(E)	(F)			
1	1	729246-53101	VALVE ASSY, F.INJECT				4					
2	2	129246-53001	NOZZLE CMP				4					
5	2	114250-53080	NUT, NOZZLE CASE				4					
6	2	119802-53100	HOLDER ASSY, NOZZLE				4					
10	2	114250-53120	SPRING, NOZZLE				4					
11	2	114250-53130	SEAT, NOZZLE SPRING				4					
12	2	114250-53140	PLATE, STOP				4					
13	2	114250-53210	PIN				8					
14	2	114250-53400	SHIM PACK				4					
26	1	129150-59120	RETAINER, INJ. PIPE				1					
29	2	129150-59131	BOLT M4X14,HEX.SCKT.				2					
30	1	129550-59120	RETAINER				1					
33	2	129150-59131	BOLT M4X14,HEX.SCKT.				2					
35	1	129601-59810	PIPE ASSY, INJECTION				1					
39	1	129601-59820	PIPE ASSY, INJECTION				1					
43	1	129601-59830	PIPE ASSY, INJECTION				1					
47	1	129601-59840	PIPE ASSY, INJECTION				1					
52	1	119802-59550	PIPE ASSY, RETURN				1					
53	2	124722-59050	CLAMP 9				2					
54	2	119802-59560	PIPE, FUEL RETURN				1					
55	1	129486-59551	PIPE, FUEL RETURN				3					
56	2	124722-59050	CLAMP 9				6					
58	1	119593-59580	CAP				1					
59	1	124060-77680	CLAMP 10				1					

(A)=4TNV88-DSA (D)=4TNV88-GGE
 (B)=4TNV88-DSA2 (E)=
 (C)=4TNV88-DSA3 (F)=

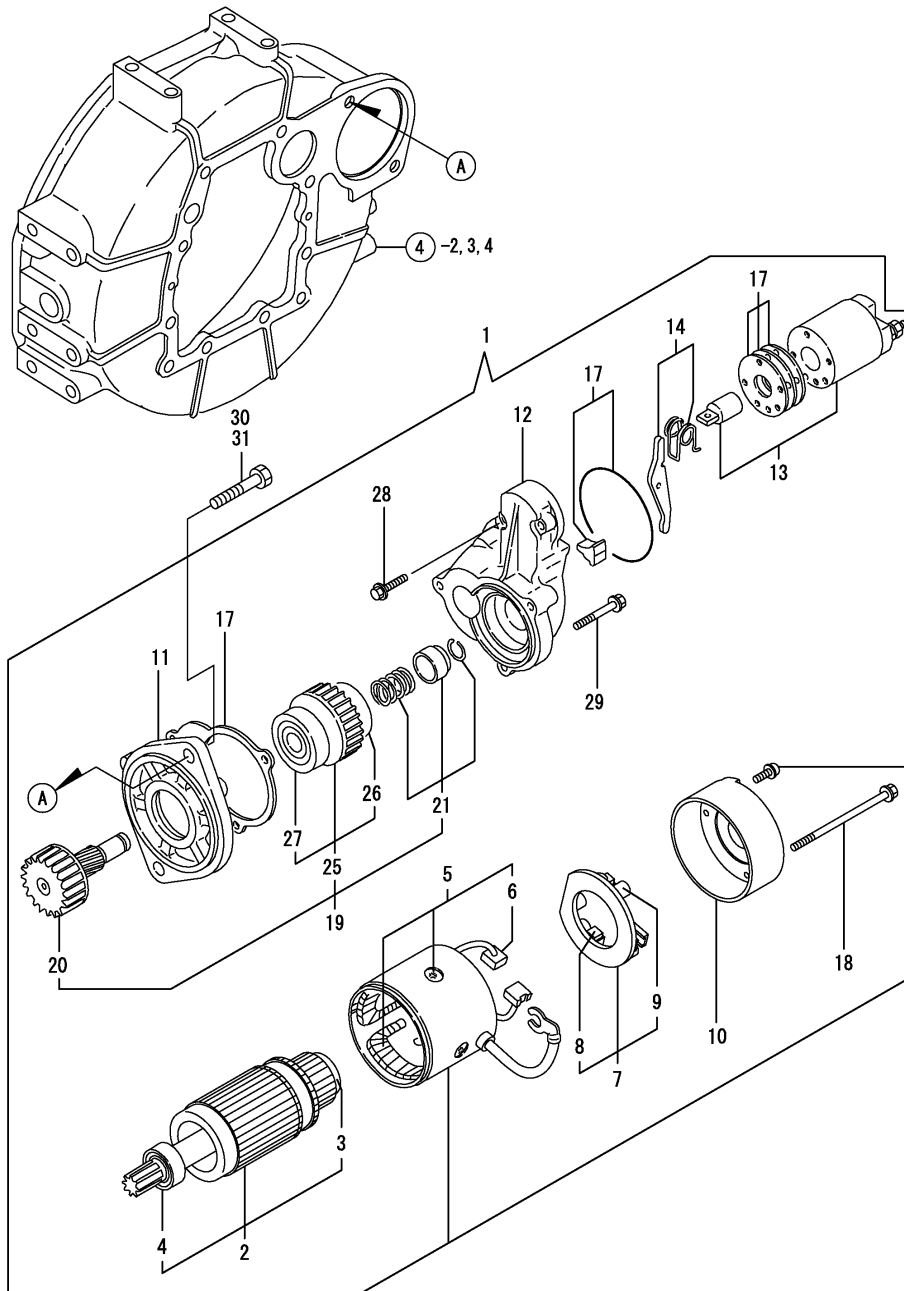
Fig.15. FUEL LINE



REF.	LEV.	PARTS NO.	DESCRIPTION	QTY						I	R
				(A)	(B)	(C)	(D)	(E)	(F)		
1	1	129004-55610	BRACKET, FILTER	1	1	1	1				
2	1	119802-55800	FILTER, FUEL	1	1	1	1				
3	1	26106-080302	BOLT M 8X 30 PLATED	2	2	2	2				
4	1	129210-59090	PIPE ASSY, FUEL OIL	1	1	1	1				
5	2	124766-59050	CLAMP 12	2	2	2	2				
6	2	105325-59570	PIPE, FUEL OIL	1	1	1	1				
7	1	129210-59150	PIPE ASSY, FUEL OIL	1	1	1	1				
8	2	124766-59050	CLAMP 12	2	2	2	2				
9	2	105025-59530	PIPE, FUEL (D13XL400)	1	1	1	1				
10	1	119225-52102	PUMP ASSY, FUEL FEED	1	1	1	1				
11	1	119802-55700	SEPARATOR ASSY	1	1	1	1				
12	2	119802-55710	ELEMENT	1	1	1	1				
13	2	129100-55690	RING, RETAINING	1	1	1	1				
14	2	24321-000650	O-RING 1A G-65.0	1	1	1	1				
15	2	24311-000160	O-RING 1A P-16.0	1	1	1	1				

Fig.16. STARTING MOTOR

(A)=4TNV88-DSA (D)=4TNV88-GGE
 (B)=4TNV88-DSA2 (E)=
 (C)=4TNV88-DSA3 (F)=

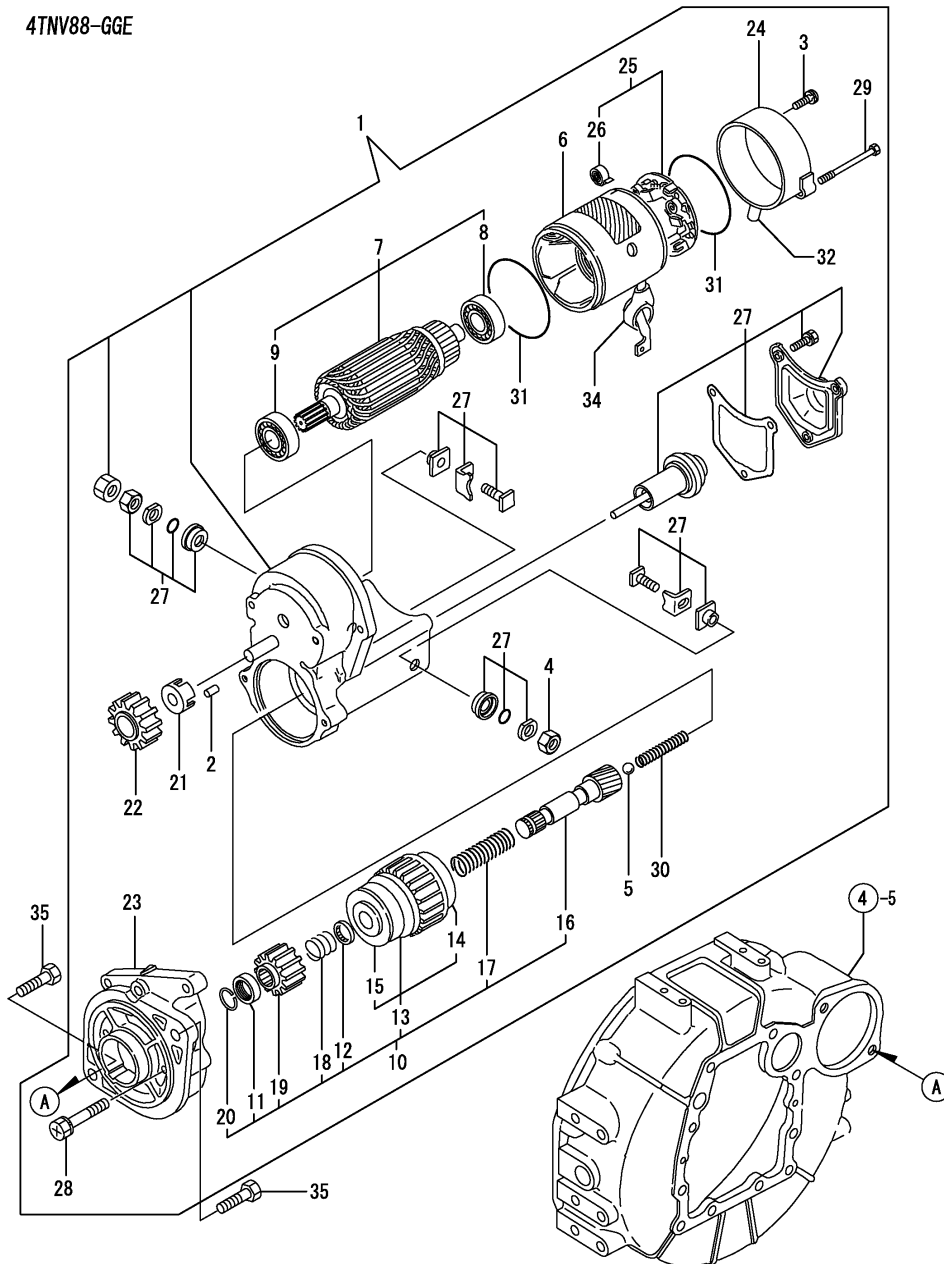


REF.	LEV.	PARTS NO.	DESCRIPTION	QTY						I	R
				(A)	(B)	(C)	(D)	(E)	(F)		
1	1	129400-77012	STARTING MOTOR	1	1	1					
2	2	129486-77400	ARMATUER	1	1	1					
3	3	171008-77410	BEARING(1)	1	1	1					
4	3	171008-77420	BEARING(2)	1	1	1					
5	2	129400-77441	FIELD COIL ASSY	1	1	1					
6	3	129486-77460	BRUSH	2	2	2					
7	2	129486-77470	HOLDER ASSY, BRUSH	1	1	1					
8	3	129486-77460	BRUSH	2	2	2					
9	3	129486-77490	SPRING, START BRUSH	4	4	4					
10	2	129900-77460	COVER, REAR	1	1	1					
11	2	171008-77510	HOUSING ASSY, GEAR	1	1	1					
12	2	129400-77520	HOUSING, CENTER	1	1	1					
13	2	129400-77531	SWITCH ASSY, MAGNETIC	1	1	1					
14	2	171008-77540	LEVER SET, SHIFT	1	1	1					
17	2	129400-77571	DUST COVER, (NON-ASB.	1	1	1					
18	2	129900-77640	BOLT, THROUGH	2	2	2					
19	2	171008-77650	PINION ASSY	1	1	1					
20	3	171008-77660	SHAFT, PINION	1	1	1					
21	3	171008-77670	STOPPER SET, PINION	1	1	1					
25	3	X2114555500	CLUTCH ASSY	1	1	1					
26	4	X2114955020	BALL BEARING	1	1	1					
27	4	X2240410100	BALL BEARING	1	1	1					
28	2	26106-060322	BOLT M 6X 32 PLATED	2	2	2					
29	2	26106-060402	BOLT M 6X 40 PLATED	3	3	3					
30	1	26116-120252	BOLT M12X 25 PLATED	2	2						
31	1	26116-120202	BOLT M12X 20 PLATED			2					

Fig.17. STARTING MOTOR

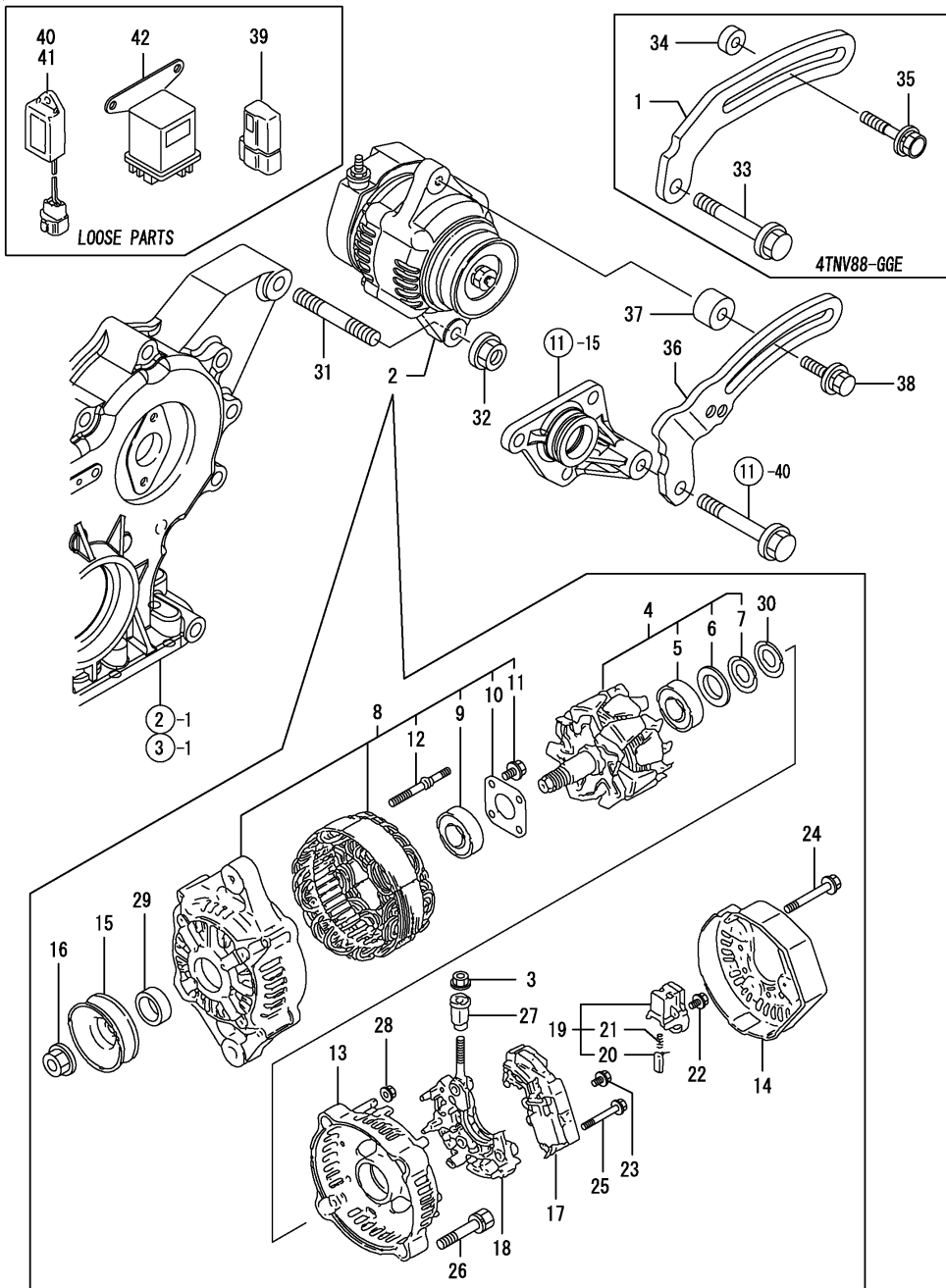
(A)=4TNV88-DSA (D)=4TNV88-GGE
 (B)=4TNV88-DSA2 (E)=
 (C)=4TNV88-DSA3 (F)=

4TNV88-GGE



REF.	LEV.	PARTS NO.	DESCRIPTION	QTY						I	R
				(A)	(B)	(C)	(D)	(E)	(F)		
1	1	129407-77010	STARTER ASSY				1				
2	2	X0283060061	ROLLER				5				
3	2	129129-77460	SCREW				2				
4	2	X9490561370	NUT				1				
5	2	X9491200240	BALL				1				
6	2	129407-77210	YOKE				1				
7	2	129407-77220	ARMATURE ASSY				1				
8	3	129129-77230	BEARING				1				
9	3	129129-77240	BEARING				1				
10	2	129407-77250	STARTER KIT				1				
11	3	X0280210230	NUT				1				
12	3	X0283270140	RETAINER				1				
13	3	129407-77390	CLUTCH,STARTER				1				
14	4	129129-77440	BEARING				1				
15	4	129129-77450	BEARING				1				
16	3	129129-77400	SHAFT				1				
17	3	129129-77410	SPRING, COIL				1				
18	3	X9491703371	SPRING, COIL				1				
19	3	129129-77420	PINION				1				
20	3	129129-77430	RING				1				
21	2	129129-77260	RETAINER				1				
22	2	129129-77270	PINION				1				
23	2	129407-77280	HOUSING				1				
24	2	129407-77290	FRAME				1				
25	2	129407-77300	HOLDER ASSY				1				
26	3	X9491730461	SPRING				4				
27	2	129407-77310	SWITCH ASSY				1				
28	2	129129-77320	BOLT				2				
29	2	129407-77330	BOLT,W/WASHER				2				
30	2	129129-77340	SPRING				1				
31	2	129129-77350	O-RING				2				
32	2	129129-77362	COVER				1				
34	2	129129-77380	CAP				1				
35	1	26116-120252	BOLT M12X 25 PLATED				2				

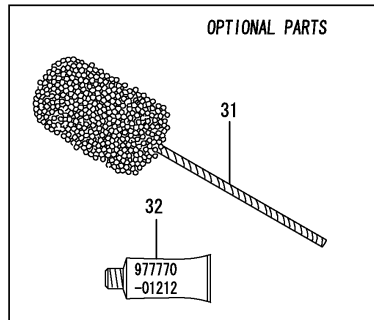
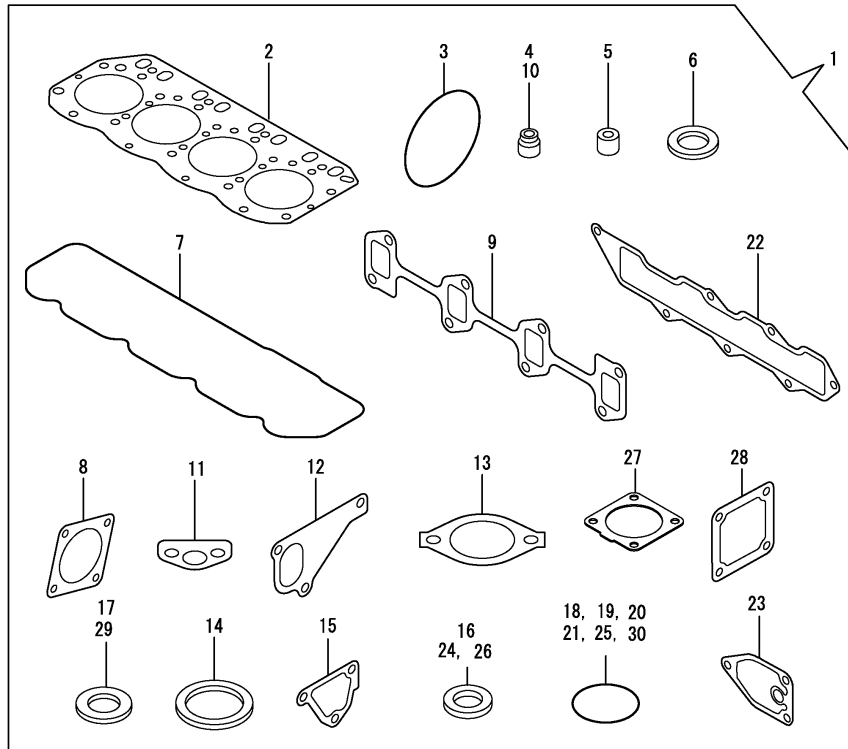
Fig.18. GENERATOR



(A)=4TNV88-DSA (D)=4TNV88-GGE
 (B)=4TNV88-DSA2 (E)=
 (C)=4TNV88-DSA3 (F)=

REF.	LEV.	PARTS NO.	DESCRIPTION	QTY						I	R
				(A)	(B)	(C)	(D)	(E)	(F)		
1	1	119940-77330	ADJUSTER, BELT				1				
2	1	129423-77200	GENERATOR	1	1	1	1				
3	2	X9490561001	NUT	1	1	1	1				
4	2	119620-77380	ROTOR ASSY	1	1	1	1				
5	3	119620-79240	BALL BEARING	1	1	1	1				
6	3	119620-79250	COVER, BEARING	1	1	1	1				
7	3	119620-79360	THRUST WASHER	1	1	1	1				
8	2	119620-77421	FLAME ASSY, DRIVE	1	1	1	1				
9	3	119620-79200	BALL BEARING	1	1	1	1				
10	3	119620-79210	PLATE	1	1	1	1				
11	3	119620-79220	SCREW	4	4	4	4				
12	3	119620-79230	BOLT, STUD	2	2	2	2				
13	2	119620-77440	FLAME ASSY, REAR	1	1	1	1				
14	2	129423-77450	COVER	1	1	1	1				
15	2	119620-77461	PULLEY	1	1	1	1				
16	2	119620-77471	NUT	1	1	1	1				
17	2	129423-77710	REGULATOR ASSY	1	1	1	1				
18	2	119620-79260	HOLDER	1	1	1	1				
19	2	119620-79270	HOLDER, BRUSH	1	1	1	1				
20	3	119620-77480	BRUSH ASSY	2	2	2	2				
21	3	119620-79280	SPRING	2	2	2	2				
22	2	119620-79290	SCREW	1	1	1	1				
23	2	119620-79300	SCREW	1	1	1	1				
24	2	119620-79310	BOLT	3	3	3	3				
25	2	119620-79320	SCREW W/WASHER	2	2	2	2				
26	2	119620-79330	BOLT	2	2	2	2				
27	2	119620-79340	INSULATION BUSH	1	1	1	1				
28	2	119620-79350	NUT	2	2	2	2				
29	2	119620-77490	COLLAR	1	1	1	1				
30	2	119620-79360	THRUST WASHER	1	1	1	1				
31	1	129795-01900	STUD	1	1	1	1				
32	1	26306-100002	NUT	1	1	1	1				
33	1	26106-080452	BOLT M 8X 45 PLATED				1				
34	1	119940-77270	ADJUSTER, BELT				1				
35	1	119802-77340	BOLT, ADJUSTER				1				
36	1	129064-77330	ADJUSTER,BELT	1	1	1					
37	1	129067-77340	SPACER	1	1	1					
38	1	26014-080452	BOLT M 8X 45	1	1	1					
39	1	119643-66900	DIODE	1	1	1	1				
40	1	128300-77920	TIMER	1	1	1					
41	1	129211-77920	TIMER	1	1	1	1				
42	1	119650-77910	RELAY, GROW	1	1	1	1				

Fig.19. GASKET SET



Remarks
(1) OPTIONAL PART.

Y00R5660 19. GASKET SET

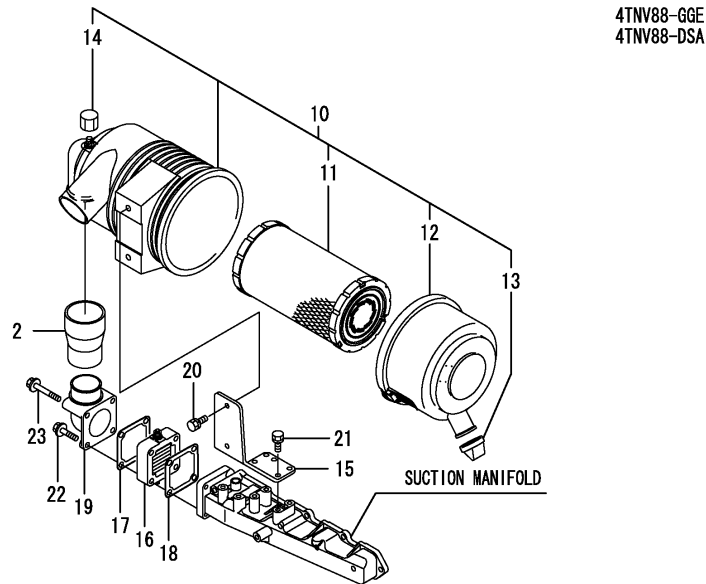
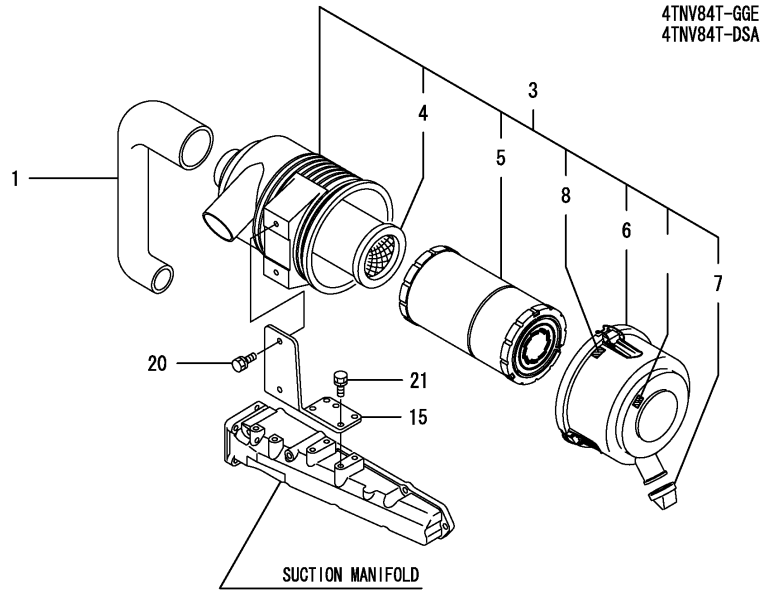
(A)=4TNV88-DSA (D)=4TNV88-GGE
(B)=4TNV88-DSA2 (E)=
(C)=4TNV88-DSA3 (F)=

REF.	LEV.	PARTS NO.	DESCRIPTION	QTY						I	R
				(A)	(B)	(C)	(D)	(E)	(F)		
1	1	729601-92780	GASKET SET(NON-ASB.)	1	1	1	1				1
2	2	129407-01340	GASKET,CYL.HEAD	1	1	1	1				
3	2	121850-51960	O-RING, F.I.PUMP	1	1	1	1				
4	2	124460-11340	SEAL, VALVE STEM	4	4	4	4				
5	2	119802-11870	PROTECTOR, NOZZLE	4	4	4	4				
6	2	119625-11880	SEAT, NOZZLE	4	4	4	4				
7	2	129601-11310	GASKET,COVER	1	1	1	1				
8	2	124240-01883	GASKET, (NON-ASB.)	1	1	1	1				
9	2	129550-13110	GASKET, EXH.MANIFOLD	1	1	1	1				
10	2	121400-11340	SEAL, VALVE STEM	4	4	4	4				
11	2	129150-35041	GASKET, (NON-ASB.)	1	1	1	1				
12	2	129486-42021	GASKET	1	1	1	1				
13	2	129795-49551	GASKET, (NON-ASB.)	1	1	1	1				
14	2	129150-49811	GASKET, (NON-ASB.)	1	1	1	1				
15	2	124395-49840	GASKET, THERMO. CASE	1	1	1	1				
16	2	22190-080002	SEAL WASHER 8S	2	2	2	2				
17	2	124465-44950	GASKET 16	2	2	2	2				
18	2	24311-000120	O-RING 1A P 12.0	3	3	3	3				
19	2	24311-000320	O-RING 1A P-32.0	2	2	2	2				
20	2	24341-000240	O-RING 1A S-24.0	1	1	1	1				
21	2	129486-42140	O-RING,CW-P	1	1	1	1				
22	2	129407-12110	GASKET,INT.MANIFOLD	1	1	1	1				
23	2	129150-35111	GASKET, (NON-ASB.)	1	1	1	1				
24	2	22190-220002	SEAL WASHER 22S	1	1	1	1				
25	2	119609-32040	O-RING P16	4	4	4	4				
26	2	22190-100002	SEAL WASHER 10S	2	2	2	2				
27	2	129930-13200	GASKET, SILENCER	1	1	1	1				
28	2	129150-77511	GASKET, (NON-ASB.)	1	1	1	1				
29	2	23414-080000	GASKET 8, ROUND	1	1	1	1				
30	2	24321-000800	O-RING 1A G-80.0	1	1	1	1				
31	1	129400-92430	HORN, FLEX	1	1	1	1				1
32	1	977770-01212	GASKET, LIQUID	1	1	1	1				1

OPTIONAL KIT

Model : 4TNV88-GGE

Fig.2. AIR CLEANER



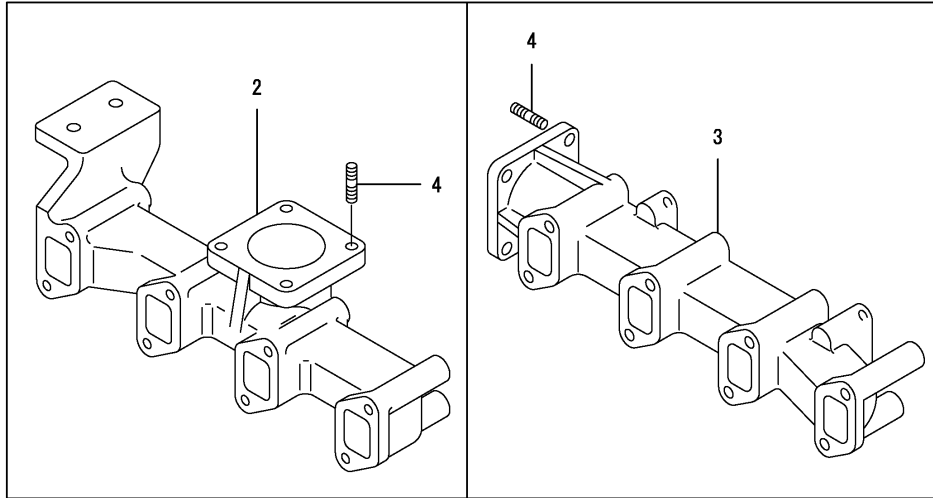
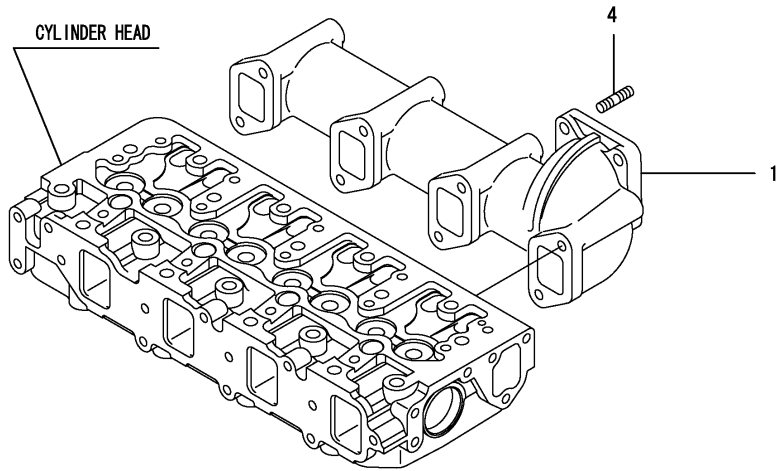
Y00R6500 2. AIR CLEANER

(A)=4TNV84T-GGE (D)=4TNV88-DSA
(B)=4TNV84T-DSA (E)=
(C)=4TNV88-GGE (F)=

REF.	LEV.	PARTS NO.	DESCRIPTION	Q'TY						I	R
				(A)	(B)	(C)	(D)	(E)	(F)		
1	1	129508-12080	HOSE,INTAKE	1	1						
2	1	129642-12550	HOSE, AIR INTAKE								
3	1	129915-12500	CLEANER ASSY, AIR	1	1						
4	2	119005-12571	ELEMENT ASSY,INNER	1	1						
5	2	129062-12560	ELEMENT	1	1						
6	2	129457-12530	COVER	1	1						
7	2	119808-12540	VALVE, UNLOADER	1	1						
8	2	129418-12530	MARK	2	2						
9	2	129612-12650	MARKING,(W)	1	1						
10	1	129601-12500	AIRCLEANER				1	1			
11	2	129906-12520	ELEMENT 6, CLEANER				1	1			
12	2	129457-12530	COVER				1	1			
13	2	119808-12540	VALVE, UNLOADER				1	1			
14	2	121820-12590	NIPPLE				1	1			
15	1	129508-12560	BRACKET, AIR CLEANER	1	1	1	1	1			
16	1	129100-77500	HEATER, AIR				1	1			
17	1	129100-77510	GASKET, AIR HEATER				1	1			
18	1	129150-77511	GASKET, (NON-ASB.)				1	1			
19	1	171340-77520	BEND				1	1			
20	1	26013-080222	BOLT M 8X 22	2	2	2	2	2			
21	1	26013-080222	BOLT M 8X 22	2	2	2	2	2			
22	1	26106-080452	BOLT M 8X 45 PLATED				2	2			
23	1	26106-080852	BOLT M 8X 85 PLATED				2	2			

Fig.3. EXHAUST MANIFOLD

4TNV88-GGE
4TNV88-DSA

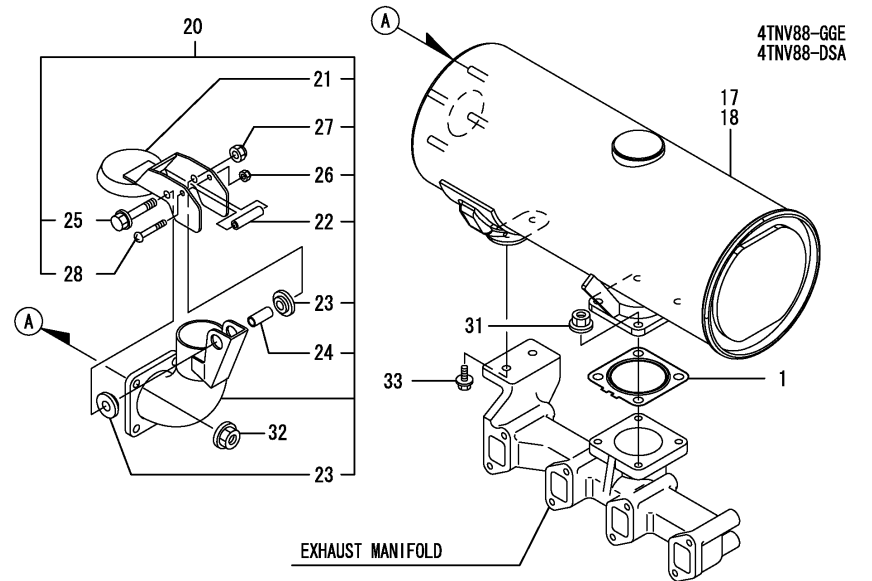
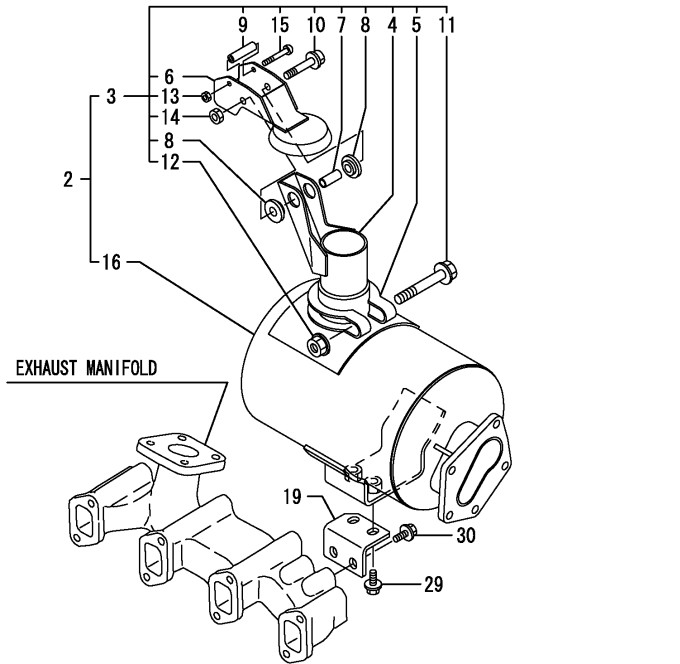


(A)=4TNV84T-GGE (D)=4TNV88-DSA
(B)=4TNV84T-DSA (E)=
(C)=4TNV88-GGE (F)=

REF.	LEV.	PARTS NO.	DESCRIPTION	Q'TY						I	R
				(A)	(B)	(C)	(D)	(E)	(F)		
1	1	129400-13101	MANIFOLD, EXHAUST			1	1				
2	1	129601-13109	MANIFOLD, EXHAUST			1	1				
3	1	129640-13109	MANIFOLD, EXHAUST			1	1				
4	1	119131-18320	BOLT M 8X 22			4	4				

Fig.4. SILENCER & TALL PIPE

4TNV84T-GGE
4TNV84T-DSA



(A)=4TNV84T-GGE (D)=4TNV88-DSA
(B)=4TNV84T-DSA (E)=
(C)=4TNV88-GGE (F)=

REF.	LEV.	PARTS NO.	DESCRIPTION	Q'TY						I	R
				(A)	(B)	(C)	(D)	(E)	(F)		
1	1	129930-13201	GASKET, SILENCER			1	1				
2	1	129508-13520	SILENCER ASSY	1	1						
3	2	129420-13540	TAILPIPE ASSY	1	1						
4	3	129420-13550	TAIL PIPE	1	1						
5	3	121850-13580	CLAMP	1	1						
6	3	128300-13640	RAIN CAP	1	1						
7	3	121855-13821	SPACER(A)	1	1						
8	3	121855-13830	SPACER(B)	2	2						
9	3	123500-13840	SPACER(C)	1	1						
10	3	26106-060402	BOLT M 6X 40 PLATED	1	1						
11	3	26106-100602	BOLT M10X 60 PLATED	1	1						
12	3	26306-100002	NUT	1	1						
13	3	26347-040002	U-NUT M 4	1	1						
14	3	26347-060002	U-NUT, 6	1	1						
15	3	26557-040352	SCREW M 4X 35	1	1						
16	2	129508-13570	BODY ASSY, SILENCER	1	1						
17	1	129601-13550	SILENCER				1				
18	1	129601-13500	SILENCER						1		
19	1	129403-13540	SUPPORT, SILENCER	1	1						
20	1	123925-13600	TAIL PIPE ASSY				1	1			
21	2	128300-13640	RAIN CAP				1	1			
22	2	121855-13821	SPACER(A)				1	1			
23	2	121855-13830	SPACER(B)				2	2			
24	2	123500-13840	SPACER(C)				1	1			
25	2	26106-060402	BOLT M 6X 40 PLATED				1	1			
26	2	26347-040002	U-NUT M 4				1	1			
27	2	26347-060002	U-NUT, 6				1	1			
28	2	26557-040352	SCREW M 4X 35				1	1			
29	1	26106-080202	BOLT M 8X 20 PLATED	2	2						
30	1	26106-080142	BOLT 8X 14 PLATED	2	2						
31	1	26306-080002	NUT				4	4			
32	1	26306-080002	NUT				4	4			
33	1	26106-080252	BOLT M 8X 25 PLATED				2	2			

Fig.5. HO-P DRIVING

(A)=4TNV84T-GGE (D)=4TNV88-DSA
 (B)=4TNV84T-DSA (E)=
 (C)=4TNV88-GGE (F)=

REF.	LEV.	PARTS NO.	DESCRIPTION	Q'TY						I	R
				(A)	(B)	(C)	(D)	(E)	(F)		
1	1	129136-26000	GEAR ASSY, H.O. PUMP		1		1				
3	2	129136-26200	GEAR ASSY, ADJUSTING		1		1				
7	2	24105-060064	BALL BEARING		2		2				
8	1	171353-26081	GASKET,HO-P BRACKET		1		1				
9	1	129484-26200	GEAR ASSY, H.O. PUMP		1		1				
11	2	129484-26210	GEAR W/SHAFT		1		1				
14	2	24105-060064	BALL BEARING		2		2				
15	1	26106-100452	BOLT M10X 45 PLATED		2		2				
16	1	26450-080282	BOLT M 8X 28		1		1				

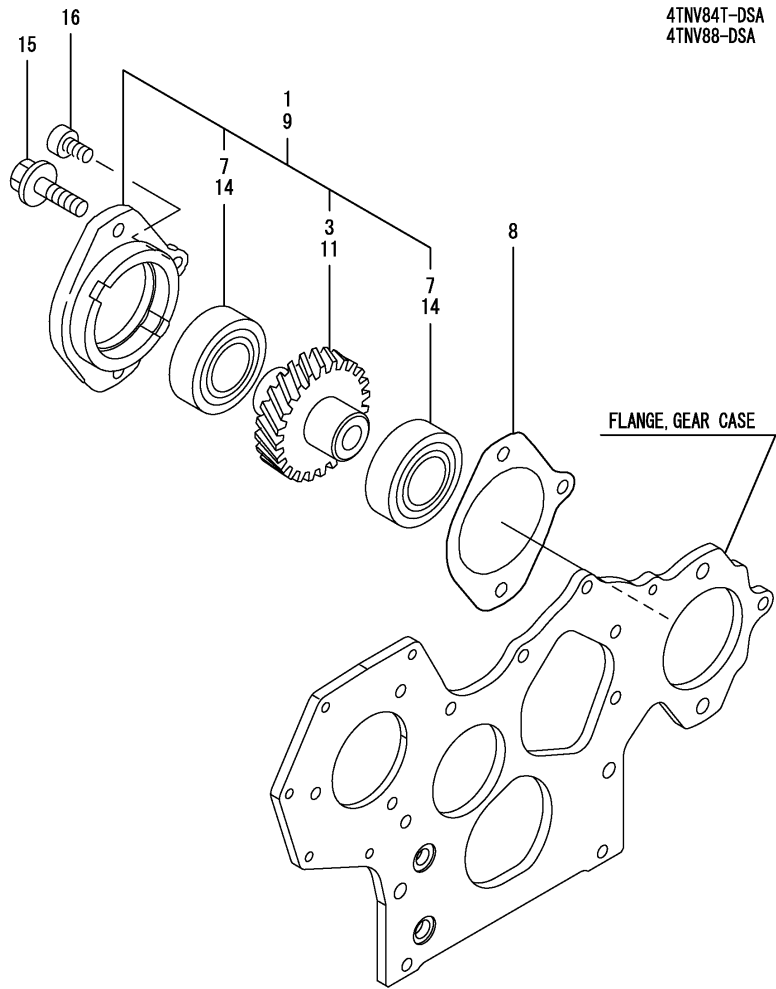
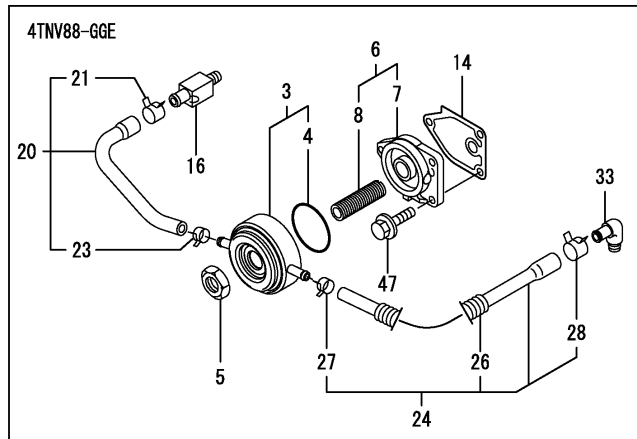
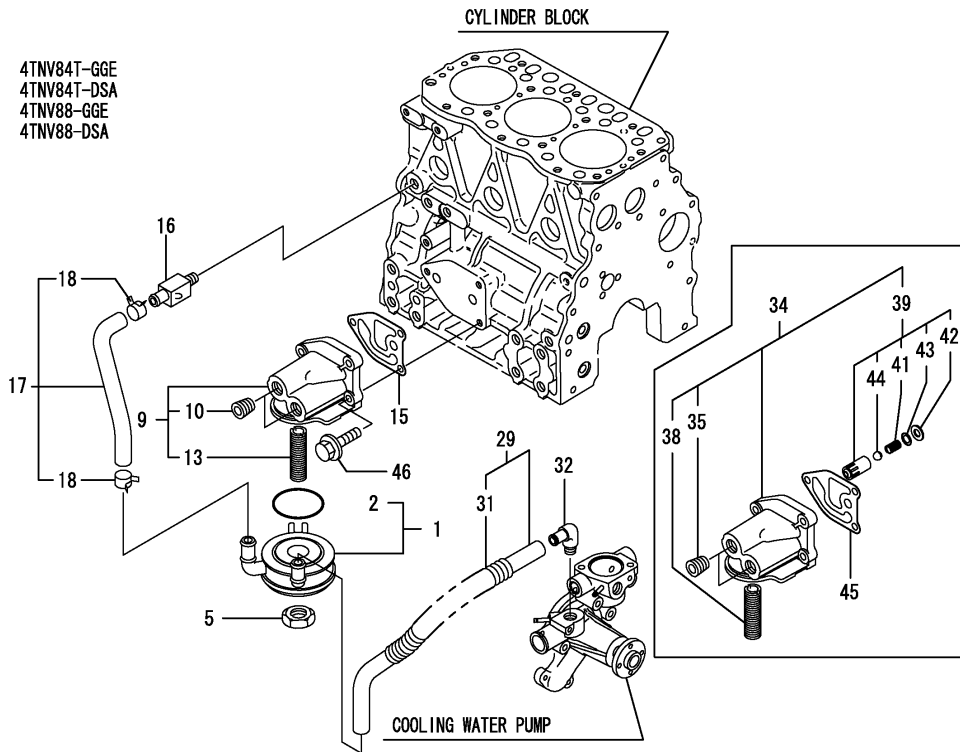


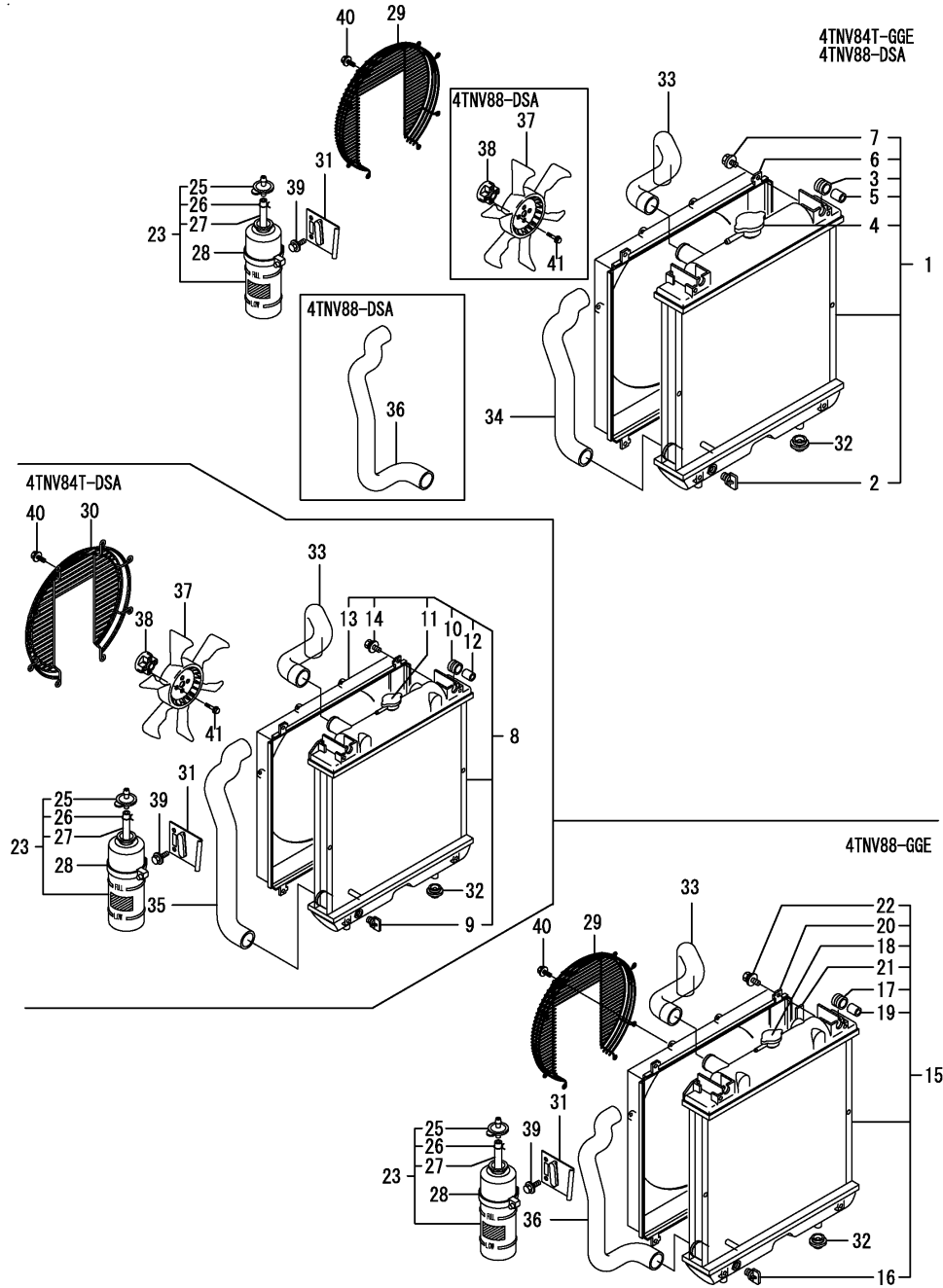
Fig.6. OIL COLLER



(A)=4TNV84T-GGE (D)=4TNV88-DSA
 (B)=4TNV84T-DSA (E)=
 (C)=4TNV88-GGE (F)=

REF.	LEV.	PARTS NO.	DESCRIPTION	Q'TY						I R
				(A)	(B)	(C)	(D)	(E)	(F)	
1	1	129067-33011	COOLER ASSY, OIL	1	1	1	1			
2	2	129508-33050	O-RING	1	1	1	1			
3	1	129508-33010	COOLER ASSY, OIL				1			
4	2	129508-33050	O-RING				1			
5	1	129417-33110	NUT OIL COOLER	1	1	1	1			
6	1	129006-35100	BRACKET ASSY, FILTER				1			
7	2	119802-35110	BRACKET, FILTER				1			
8	2	129417-35150	STUD				1			
9	1	129033-35100	BRACKET ASSY	1	1	1	1			
10	2	129033-01770	PLUG NPT1/2	2	2	2	2			
13	2	129417-35150	STUD	1	1	1	1			
14	1	129150-35111	GASKET, (NON-ASB.)				1			
15	1	129103-35122	GASKET, (NON-ASB.)	1	1	1	1			
16	1	129006-44480	JOINT	1	1	1	1			
17	1	129033-49030	PIPE ASSY, COOLER IN	1	1	1	1			
18	2	171008-03990	CLAMP 18.5	2	2	2	2			
20	1	129508-49030	PIPE, COOLER IN				1			
21	2	171008-03990	CLAMP 18.5				1			
23	2	23080-015000	CLAMP				1			
24	1	129508-49040	PIPE, COOLER OUT				1			
26	2	119940-59130	PROTECTOR, PIPE 19				1			
27	2	23080-015000	CLAMP				1			
28	2	23080-018000	CLAMP 18				1			
29	1	129608-49060	PIPE	1	1	1	1			
31	2	129608-49090	TUBE CORRUGATED	1	1	1	1			
32	1	129103-49301	ELBOW PT 1/4	1	1	1	1			
33	1	119944-49300	ELBOW PT3/8				1			
34	1	129224-35101	BRACKET ASSY	1	1	1	1			
35	2	124085-01771	PLUG NPT1/4	2	2	2	2			
38	2	129100-35140	STUD	1	1	1	1			
39	2	129553-35500	VALVE ASSY, BY-PASS	1	1	1	1			
41	3	129553-35520	SPRING	1	1	1	1			
42	3	129553-35530	RETAINER	1	1	1	1			
43	3	129553-35540	SHIM	1	1	1	1			
44	3	24190-130001	BALL 13/32	1	1	1	1			
45	1	129103-35122	GASKET, (NON-ASB.)	1	1	1	1			
46	1	26106-080252	BOLT M 8X 25 PLATED	3	3	3	3			
47	1	26106-080202	BOLT M 8X 20 PLATED				3			

Fig.7. RADIATOR

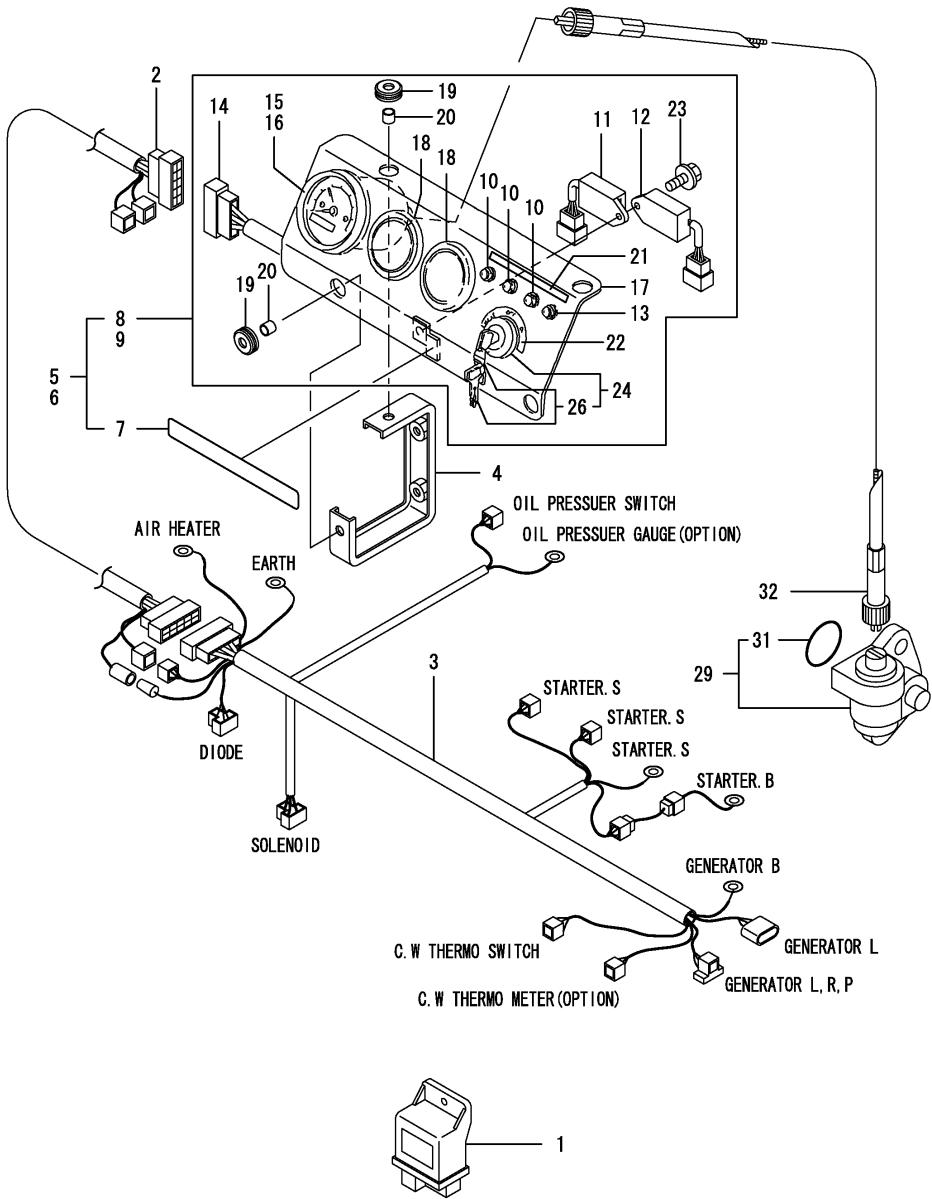


(A)=4TNV84T-GGE (D)=4TNV88-DSA
 (B)=4TNV84T-DSA (E)=
 (C)=4TNV88-GGE (F)=

REF.	LEV.	PARTS NO.	DESCRIPTION	Q'TY						I R
				(A)	(B)	(C)	(D)	(E)	(F)	
1	1	129508-44501	RADIATOR CMP	1			1			
2	2	129508-44550	COCK ASSY	1			1			
3	2	129467-44580	MOUNT RUBBER	2			2			
4	2	129107-44590	CAP, RADIATOR	1			1			
5	2	129467-44590	COLLAR	2			2			
6	2	129601-44600	SHROUD	1			1			
7	2	26014-060122	BOLT M 6X 12	4			4			
8	1	129508-44520	RADIATOR ASSY							
9	2	129508-44550	COCK ASSY				1			
10	2	129467-44580	MOUNT RUBBER				2			
11	2	129107-44590	CAP, RADIATOR				1			
12	2	129467-44590	COLLAR				2			
13	2	129602-44600	SHROUD				1			
14	2	26014-060122	BOLT M 6X 12				4			
15	1	129601-44500	RADIATOR ASSY							1
16	2	129508-44550	COCK ASSY							1
17	2	129467-44580	MOUNT RUBBER							1
18	2	129107-44590	CAP, RADIATOR							1
19	2	129467-44590	COLLAR							2
20	2	129601-44600	SHROUD							1
21	2	129601-44610	GASKET							2
22	2	26014-060122	BOLT M 6X 12							4
23	1	124450-44510	SUB-TANK ASSY	1	1	1	1	1		
25	2	124450-44530	CAP	1	1	1	1	1		
26	2	124450-44560	CLAMP	1	1	1	1	1		
27	2	23061-070230	PIPE 7X 230	1	1	1	1	1		
28	1	124450-44550	CLAMP, SUB-TANK	1	1	1	1	1		
29	1	129601-44560	GUARD, FAN	1			1			
30	1	129601-44570	GUARD, FAN				1			1
31	1	121256-44600	BRACKET, SUB-TANK	1	1	1	1	1		
32	1	119255-44660	RUBBER	2	2	2	2	2		
33	1	129602-49010	PIPE, COOLING WATER	1	1	1	1	1		
34	1	129508-49020	PIPE, COOLING WATER	1						
35	1	129508-49070	CW-T(B)				1			
36	1	129612-49040	PIPE, COOLING WATER				1			1
37	1	129612-44700	FAN, COOLING				1			1
38	1	121267-44760	SPACER				1			1
39	1	26106-080122	BOLT M 8X 12 PLATED	2	2	2	2	2		
40	1	26106-060162	BOLT M 6X 16 PLATED	8	8	8	8	8		
41	1	26106-060302	BOLT M 6X 30 PLATED				4			4

Fig.8. ELECTRIC PARTS

(A)=4TNV84T-GGE (D)=4TNV88-DSA
 (B)=4TNV84T-DSA (E)=
 (C)=4TNV88-GGE (F)=



REF.	LEV.	PARTS NO.	DESCRIPTION	Q'TY						I	R
				(A)	(B)	(C)	(D)	(E)	(F)		
1	1	119802-77200	RELAY, SAFETY	1	1	1	1				
2	1	119946-91010	CORD,EXTENSION 2M	1	1	1	1				
3	1	119888-91026	HARNESS, WIRE	1	1	1	1				
4	1	119888-91120	SUPPORT, PANEL	2	2	2	2				
5	1	119888-91302	PANELBOARD ASSY	1		1					
6	1	119888-91102	PANELBOARD ASSY		1		1				
7	2	104507-07190	LABEL, YANMAR	1	1	1	1				
8	2	119888-91321	PANEL ASSY, INSTRU.	1		1					
9	2	170121-91101	PANEL ASSY, INSTRUM.		1		1				
10	3	124732-77720	LAMP, CHARGING	3	3	3	3				
11	3	128300-77920	TIMER	1	1	1	1				
12	3	129211-77920	TIMER	1	1	1	1				
13	3	124559-77971	LAMP, PILOT	1	1	1	1				
14	3	119888-91032	HARNESS B, WIRE	1	1	1	1				
15	3	171082-91100	TACHOMETER	1		1					
16	3	171080-91101	TACHOMETR		1		1				
17	3	119888-91110	BODY	1	1	1	1				
18	3	124770-91220	COVER 52	2	2	2	2				
19	3	121400-91520	ABSORBER	4	4	4	4				
20	3	121400-91530	SPACER	4	4	4	4				
21	3	119888-91610	LABEL, CW & OIL LAMP	1	1	1	1				
22	3	119888-91620	LABEL, KEY SWITCH	1	1	1	1				
23	3	26106-060102	BOLT 6X 10 PLATED	1	1	1	1				
24	3	933110-00100	SWITCH ASSY, STARTER	1	1	1	1				
26	4	933110-00301	KEY ASSY	2	2	2	2				
29	1	129150-91400	GEAR UNIT,TACHOMETER	1	1	1	1				
31	2	24341-000240	O-RING 1A S-24.0	1	1	1	1				
32	1	124737-91420	CABLE, TACHOMETER	1	1	1	1				

N:Old ↔ New, Q:Old ↔ New, R:Old ↔ New, S:Old ↔ New, W:Add, Z:Discontinued, F:Set Change, K:Q'ty Change
 (C)Copy Rights YANMAR CO.,LTD and YANMAR AGRICULTURAL EQUIPMENT CO.,LTD.